

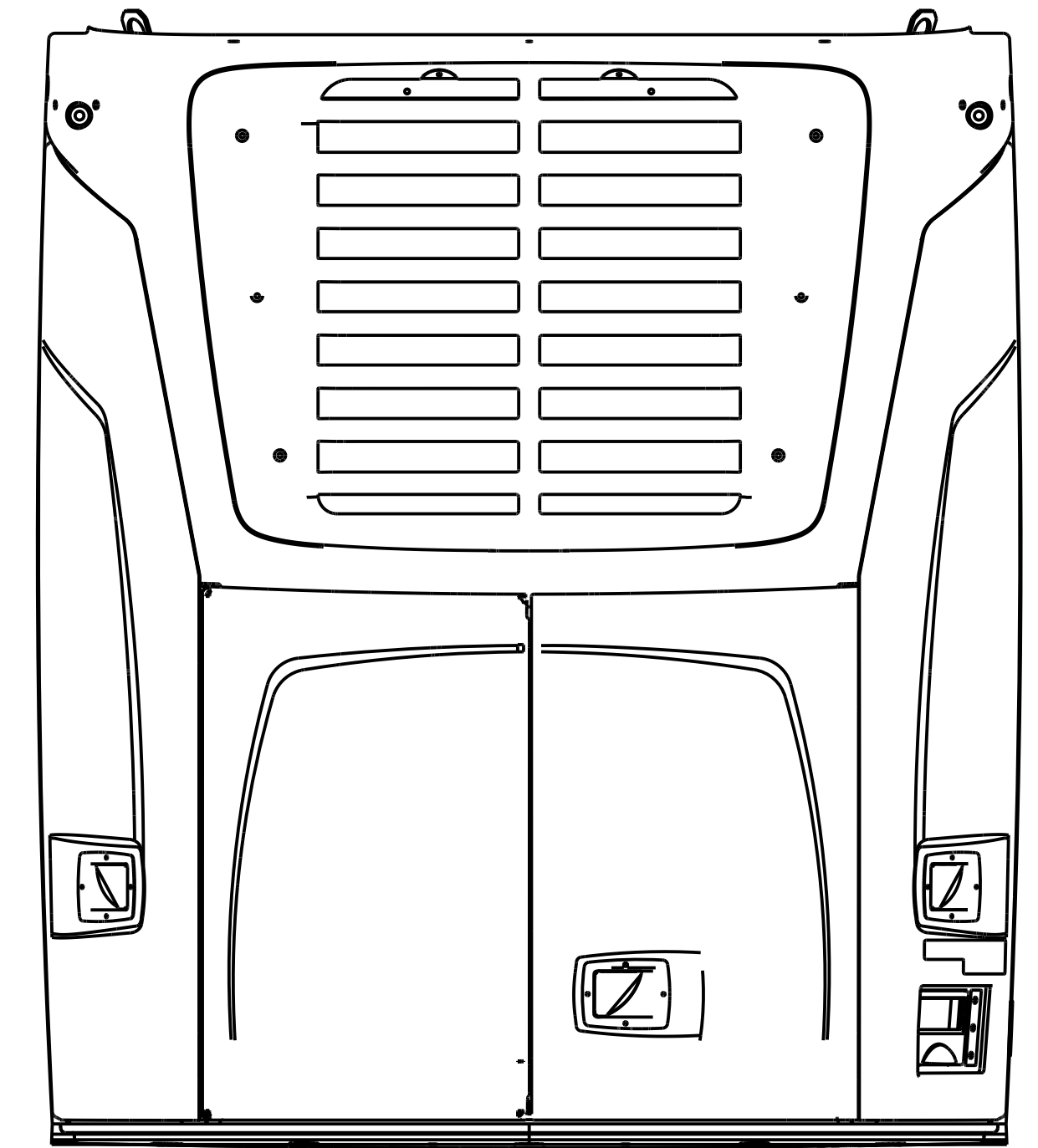
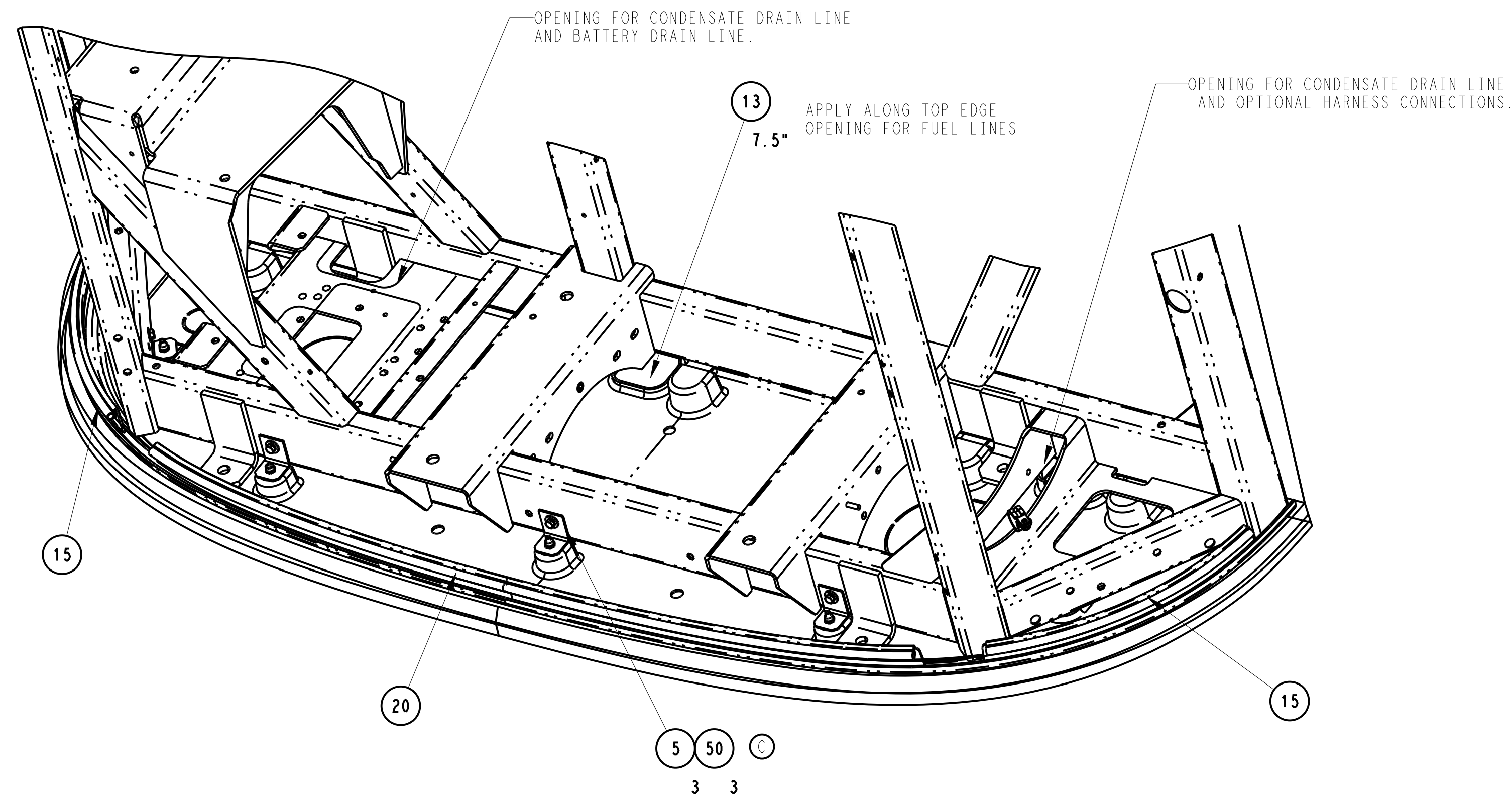
Carrier

A United Technologies Company

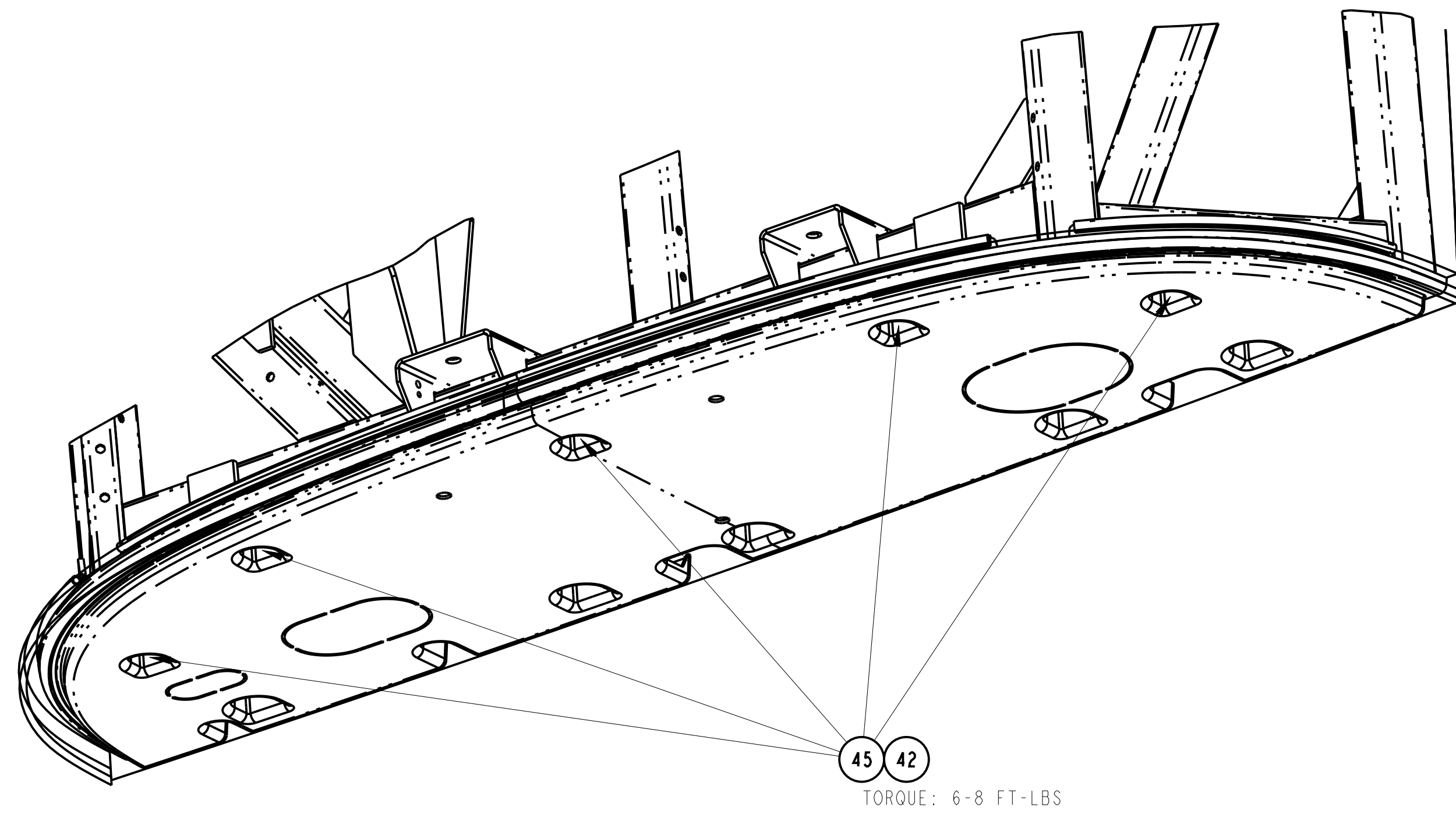
Carrier Transicold Division
Carrier Corporation
P.O. Box 4805
Syracuse, New York 13221

THIS DOCUMENT AND THE INFORMATION CONTAINED THEREIN IS PROPRIETARY TO CARRIER CORPORATION AND SHALL NOT BE USED OR DISCLOSED TO OTHERS, IN WHOLE OR IN PART, WITHOUT THE WRITTEN AUTHORIZATION OF CARRIER CORPORATION.

SUBMISSION OF THESE DRAWINGS OR DOCUMENTS DOES NOT CONSTITUTE PART PERFORMANCE OR ACCEPTANCE OF CONTRACT



BOTTOM PANEL (REF)



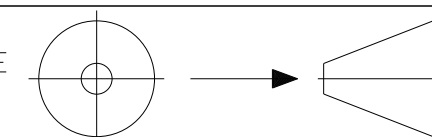
VIEW FROM BOTTOM OF UNIT

NOTES:

- 1.0 ATTACH SEAL TRIM TO BOTTOM PANEL PRIOR TO INSTALLATION.
- 2.0 INSTALL (3) MOUNTING ANGLES (IT #50) , WITH RIVNUTED FLANGE DOWN, TO FRAME USING SUPPLIED SCREWS. TIGHTEN SCREWS, 96 IN-LBS, KEEPING THE BOTTOM OF THE ANGLES FLUSH AND PARALLEL TO THE BOTTOM OF THE FRAME.
- 3.0 SLIDE (5) OPENINGS IN BOTTOM PANEL OVER (5) REAR MOUNTING ANGLES ON THE FRAME AND SECURE BOTTOM PANEL TO OTHER (5) MOUNTING ANGLES USING SUPPLIED WASHERS & SCREWS (IT#43 & 45). TIGHTEN SCREWS SECURELY, 96 IN-LBS.

C	REM'D IT.10, 3 PLACES & BRACKET DETAIL VIEW. PIC'T UPDATED IT.50, QTY 3.	20 JUN 2014	LT-DG	JD		72N0270P14
B	UPDATED IT.10 (RIVNUT) AND IT.50 (MTG. ANGLE).	9 SEP 09	ZMG			72N237GP09
A	REMOVED "BOTTOM VIEW OF PANEL" VIEW WITH NOTES FOR REMOVAL OF KNOCK-OUTS	03-OCT-2008	TSV			72N0036P08.16
-	INITIAL RELEASE.	06-JUN-2008	TSV			72N023GN07
SYM	REVISION RECORD	DATE	BY	ENGR.	M.E.	NPCA NO.

THIRD ANGLE PROJECTION



IMPERIAL INCH FORMAT:
UNLESS OTHERWISE SPECIFIED
DIMENSIONS ARE IN INCHES WITH
METRIC CONVERSIONS IN (MILLIMETERS)

TITLE

INSTALLATION INSTRUCTIONS
BOTTOM PANEL

DRAWING NO.

98-02526

REV

C

SHEET 1 of 1

SUPERSEDES

PRINT DISTRIBUTION

SEE SEPARATE PARTS LIST