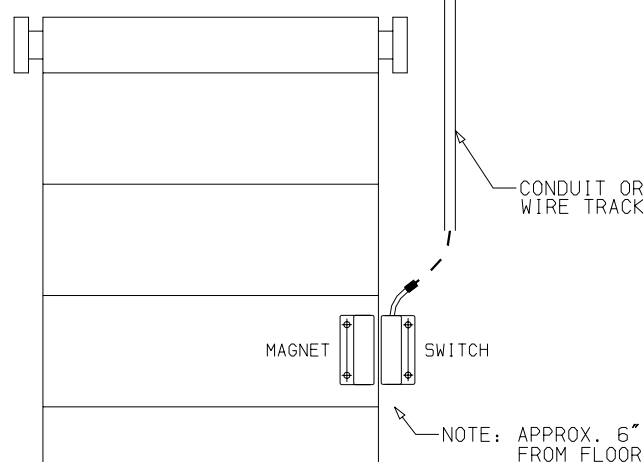


SWINGING DOOR APPLICATION



OVERHEAD DOOR APPLICATION

RECOMMENDED MOUNTING POSITIONS

A	ADDED BALLOON CALL-OUT 13					DJD	04/26/05													
-	INITIAL RELEASE PER NPR728044GN					MGC	12/07/98	SUPERSEDES	-	TITLE	INSTALLATION INSTRUCTIONS DOOR SWITCH FOR SUPRA MICRO AND SUPRA M70	DRAWING NO.	98-02306	REV	A					
SYM	REVISION RECORD	ENGRG.	DATE	APPLICATION ENGRG.	DATE	DRAWN BY	DATE						5HT 2 OF							