



TRANSICOLD

TECHNICAL INSTRUCTIONS

MULTI-TEMP REMOTE EVAP DOOR SWITCH UNDERMOUNT REMOTE CONTROL BOX (CTD P/N 76-50089-00)

KIT CONTENTS

Qty	Part Number	Part Description
1	12-00419-03	Magnet
1	12-00419-04	Switch, magnetic
*6	22-01292-02	Butt splice
*6	22-01327-02	Tube, heat shrink
*75 ft.	22-01443-00	2 conductor wire (75 ft)
1	22-02780-00	Relay assembly
2	34-00662-08	Washer, plain
2	34-00667-08	Nut, self locking
2	22-01613-15	Deutsch socket
1	98-50119-00 Rev D	Instructions

**Note: These items may be required but are not included in this kit.*

INSTRUCTIONS

Note: This kit is designed to be used on Multi-Temp units equipped with undermount remote control box for use with remote compartment shut down door switch.

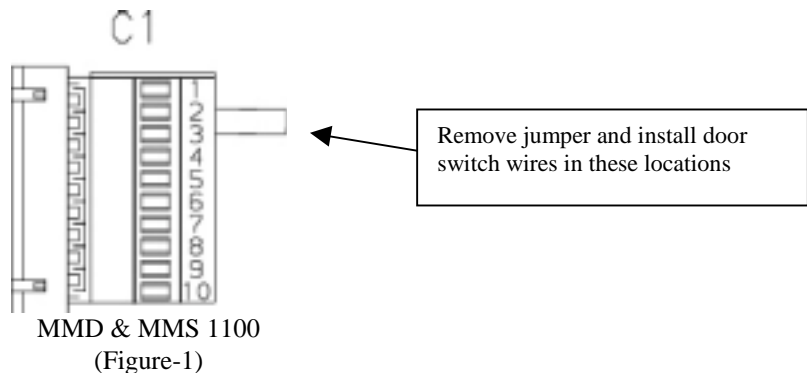
1. Mount the door switch assembly see (Fig-3).
2. Mount the relay assembly in the control box see (Fig-4).
3. Route the door switch wires to the remote evaporator associated with the door switch. Or connect to pre-wired door switch trailer wires see (Fig-5).
4. Route the door switch wires into the remote evaporator electrical box and wire as shown in (Fig 1 or 2) depending on the model of the evaporator.

Special note for remote evaporators with the Deutsch style harness connector located in the remote evaporator: Disregard Figures 1 & 2. After routing

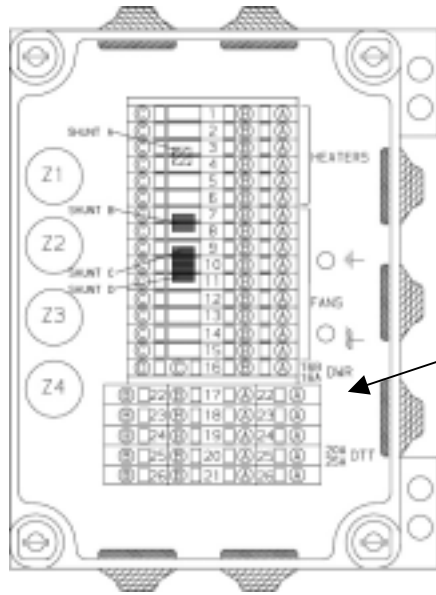
the door switch wires into the remote evaporator, use the Deutsch pins P/N 22-01613-15 (included in kit) to terminate the wires. Insert these terminated wires into the Deutsch connector pin locations 7 & 13. These pins require a special crimping tool P/N 07-00397-02, available from RCG (see Bulletin SER01-03). All other instructions apply.

5. Connect relay connector to mating harness connector in control box identified by wire labels 2DSA, 2DSB, 2DSC, 2DSD or 3DSA, 3DSB, 3DSC, 3DSD depending on which compartment you are installing the door switch on.
6. See schematic (Fig-6) for correct wiring information.

Note:
Mating wires in connector
are dark blue & gray.



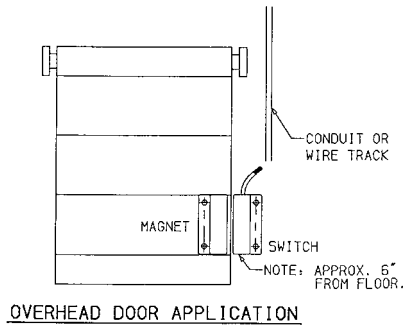
Note:
Mating wires in connector are dark blue & gray.



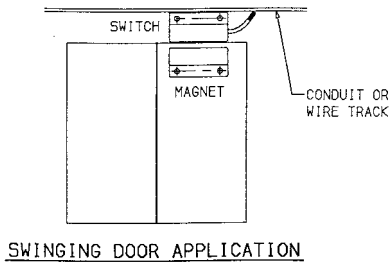
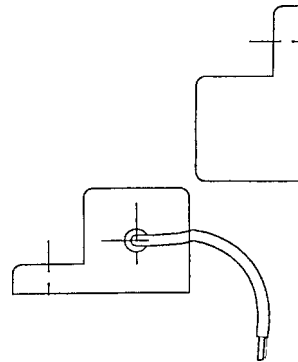
Install door switch wires into terminals 17A & 22A

MMD & MMS 2200
(Figure-2)

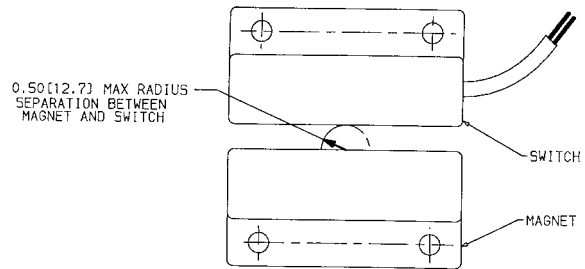
Attach door switch and magnet (included in kit) to trailer door and trailer wall with self-drilling screws, allowing a maximum 0.50" gap between switch and magnet.



OVERHEAD DOOR APPLICATION

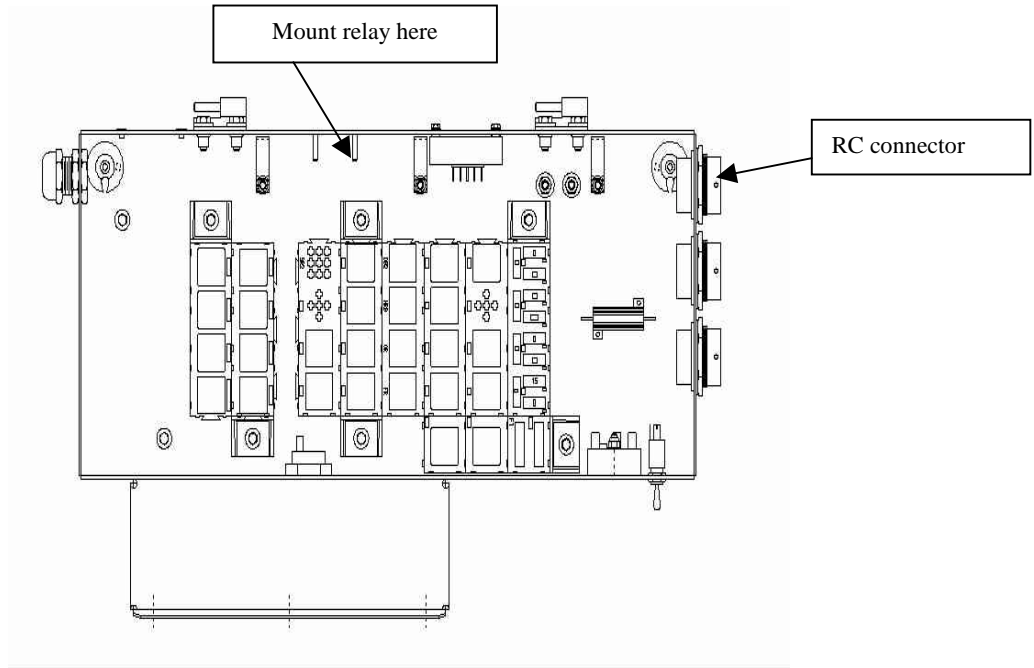


SWINGING DOOR APPLICATION

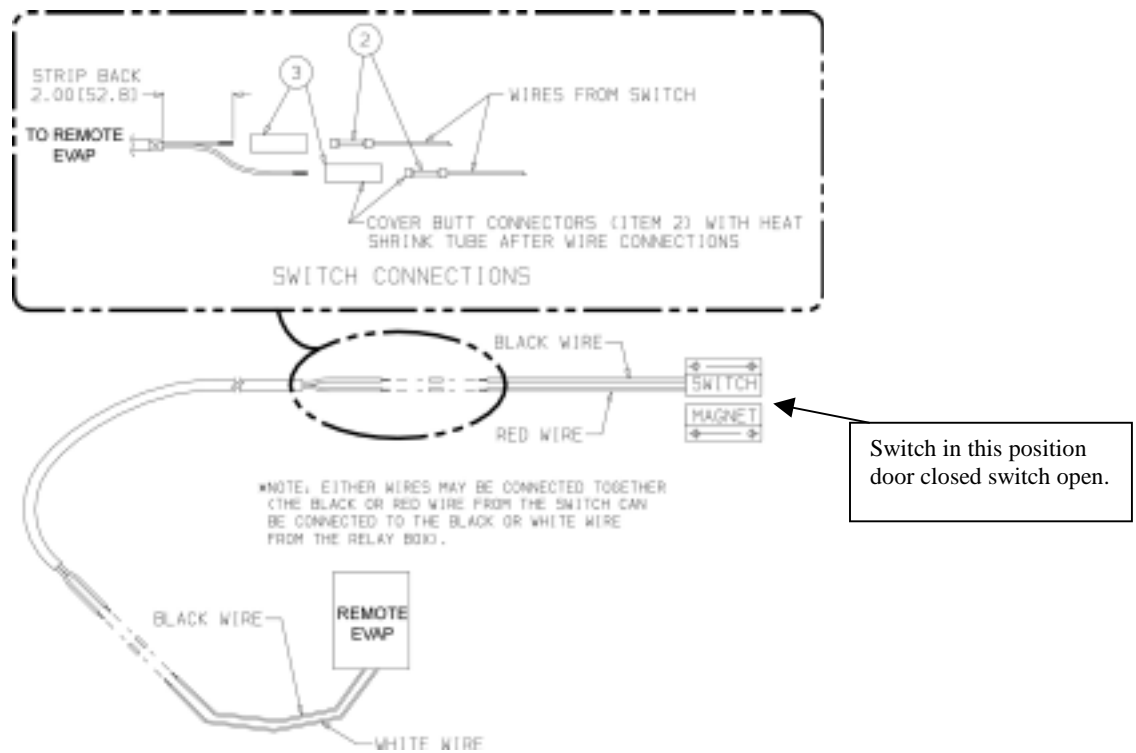


RECOMMENDED MOUNTING POSITIONS

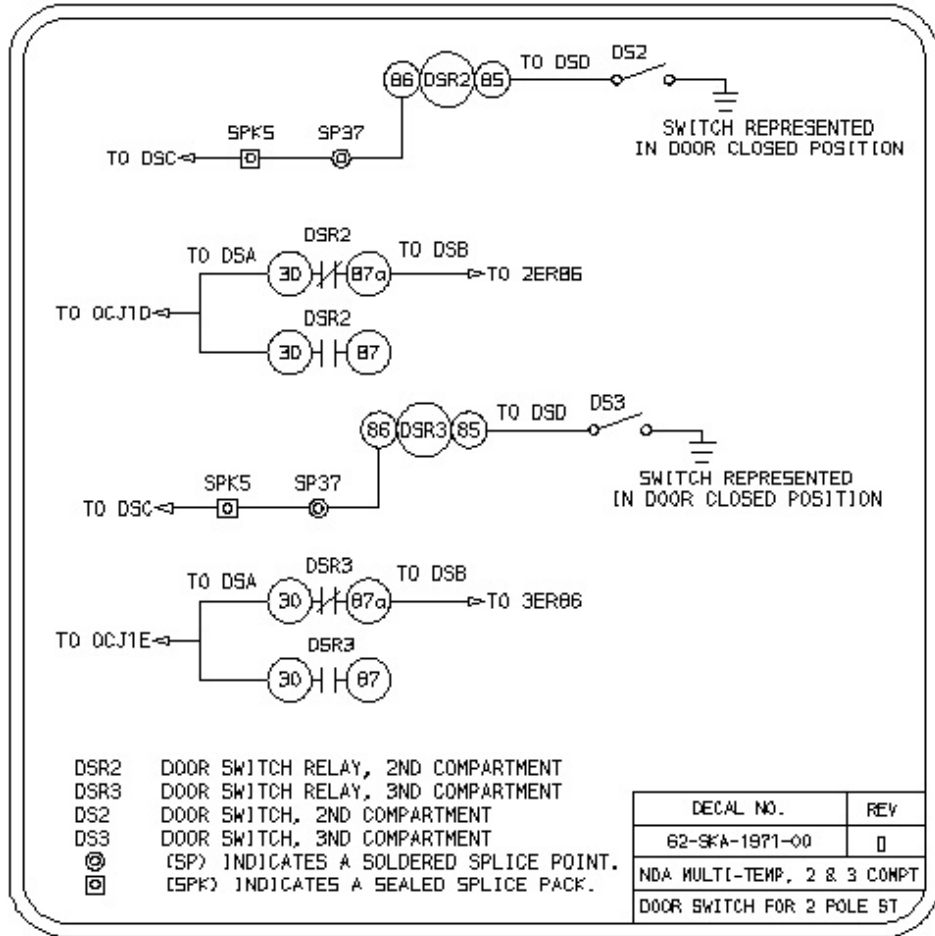
(Figure-3)



(Figure-4)



(Figure-5)



(Figure-6)