

INSTALLATION INSTRUCTIONS:

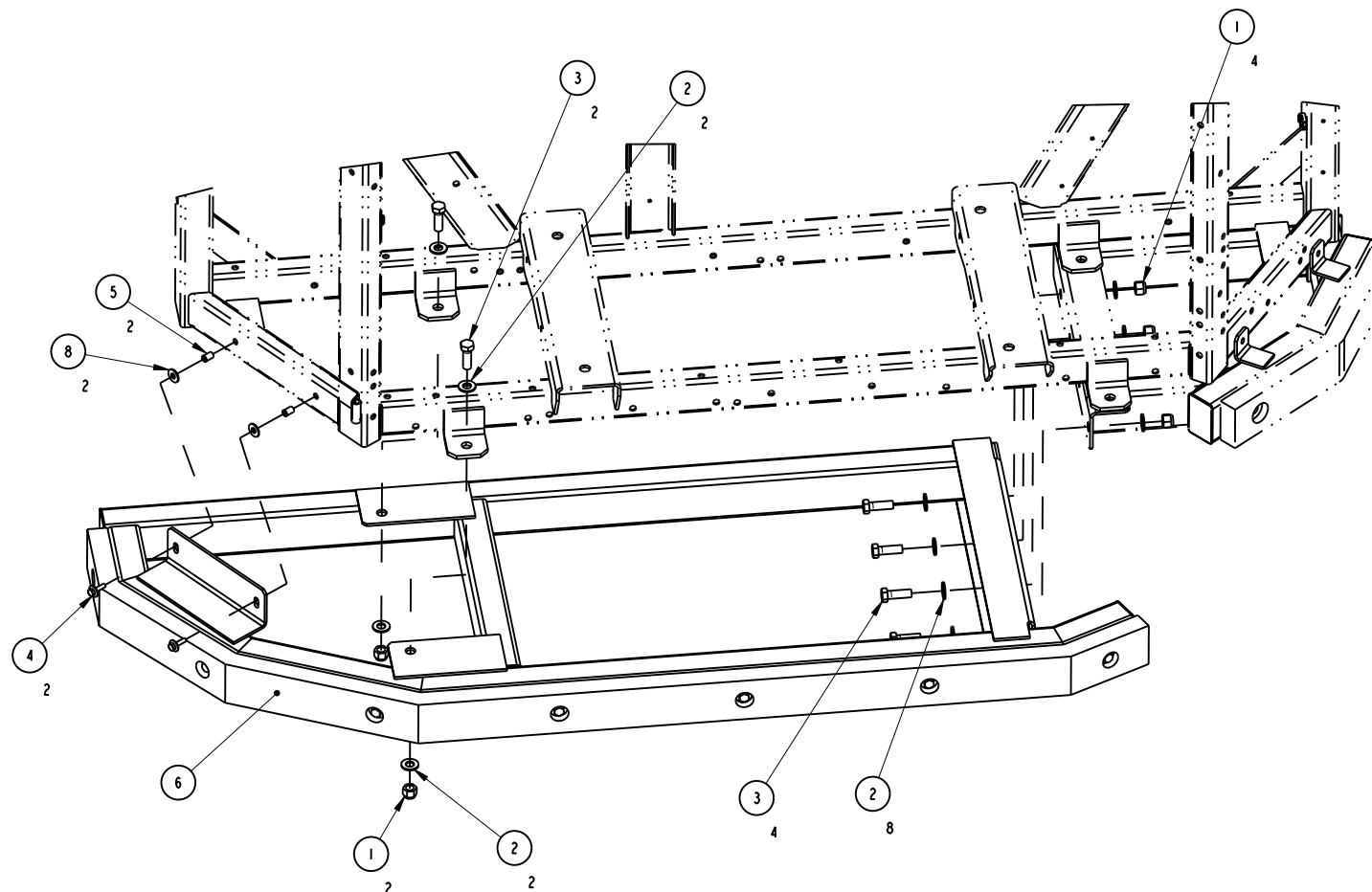
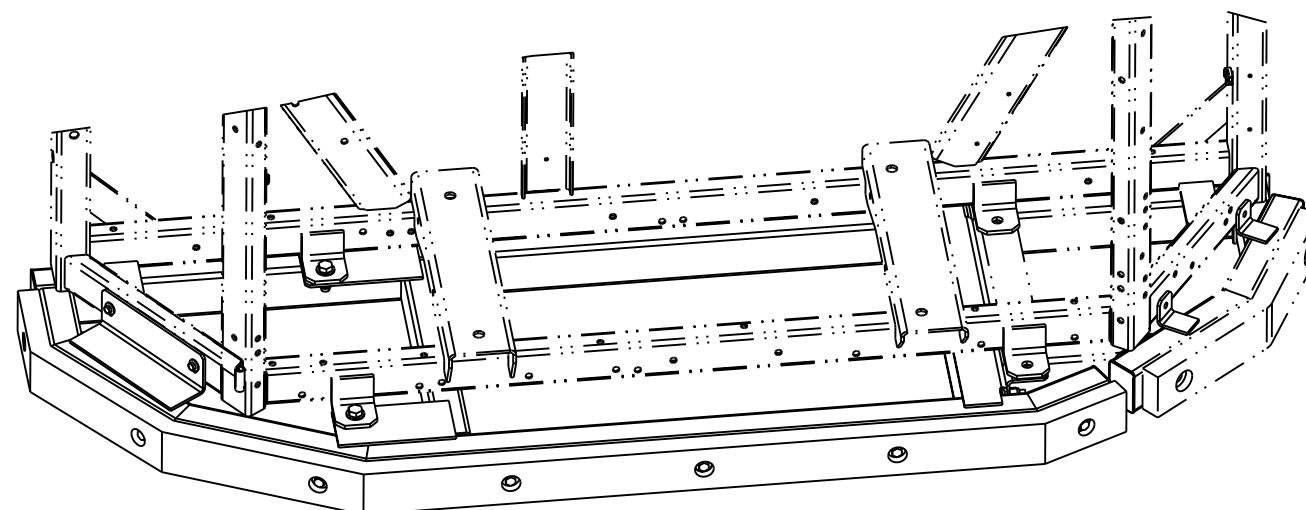
NOTICE:

ON UNITS EQUIPPED WITH BOTTOM PANEL. INSTALLATION OF ITEM 5 (1/4-20 RIVNUT) AND ITEM 8 (5/16 WASHER) IS NOT REQUIRED.

ON UNITS WITHOUT BOTTOM PANEL. REMOVE PLUGS FROM LOWER CURBSIDE FRAME MEMBER AND INSTALL ITEM 5 (RIVNUT) INTO FRAME HOLES PRIOR TO INSTALLING BUMPER. THEN POSITION ITEM 8 (5/16 WASHER) BETWEEN FRAME AND BUMPER MOUNTING ANGLE AS SHOWN.

BUMPER TO UNIT:

1. LOOSELY INSTALL BUMPER ONTO FRAME USING ITEM 3 (1/2-13 BOLTS), ITEM 2 (1/2 WASHERS) AND ITEM 1 (1/2-13 LOCK NUTS) TO FRAME MOUNTING ANGLES. DO NOT TIGHTEN.
2. ALIGN HOLES IN BUMPER AND MICROBUMPER AND LOOSELY INSTALL HARDWARE.
3. OPEN CURBSIDE DOOR AND INSTALL ITEM 4 (1/4-20 BOLTS) ON MOUNTING TAB OF BUMPER.
4. TORQUE HARDWARE AS FOLLOWS.  
1/4 BOLTS 15 FT/LBS  
1/2 BOLTS 65 FT/LBS



C	PICTORIALLY UPDATED IT.6.	AUG 24, 2004	ZMG			72N224GP04
B	PICTORIALLY UPDATED IT.6.	11/11/03	ZMG			72N227GP03
A	INITIAL RELEASE.	4/8/03	ZMG			72N209GP03
I	PRELIMINARY RELEASE.	3/28/03	ZMG			72N209GP03
SYM	REVISION RECORD	DATE	BY	CHK'D	APP'D	AUTH NO.

SUPERSEDES

TITLE

INSTALLATION INSTRUCTIONS  
FRONT BUMPER

DRAWING NO. 98-03230

REV

SHEET 1 OF 1

C