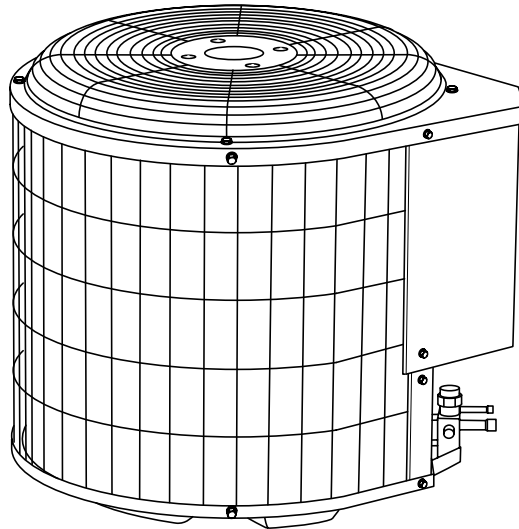




Heating & Cooling



Model PA10


ELECTRIC AIR CONDITIONER

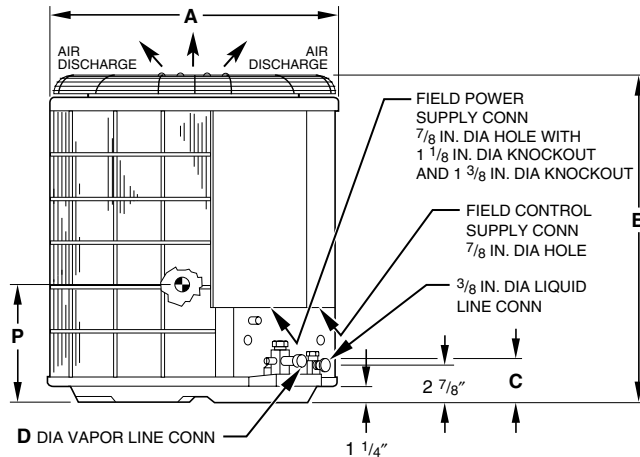
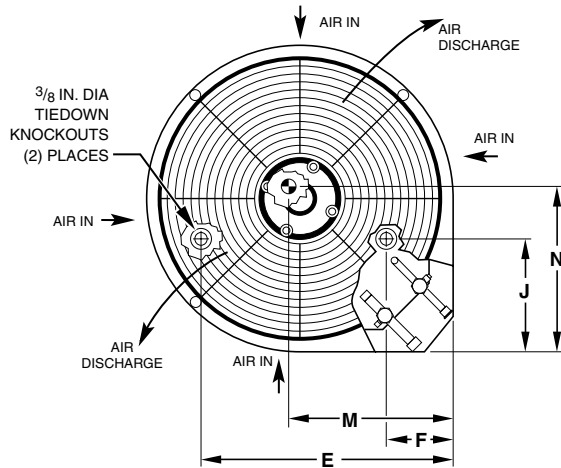
FEATURES

- AVAILABLE SIZES:** Nominal sizes available from 018 through 060 to meet the needs of residential and light commercial applications.
- CERTIFICATION:** All models are listed with UL, (U.S. and Canada), ARI, and CEC.
- ELECTRICAL RANGE:** Units are offered in 208–230v, single phase 018 through 060 sizes; 208/230v, three phase in 036, 048 and 060 sizes; and 460v, three phase in 060 size.
- FAN MOTOR:** The totally enclosed fan motor provides greater reliability under adverse conditions and dependable performance for many years. The permanent split capacitor type motor was designed for optimum efficiency. The motor was then qualified under extreme conditions to help ensure a long, reliable life.
- CABINET:** A weather protective cabinet of prepainted steel is protected underneath by a galvanized coating and treated with a layer of zinc phosphate for a finish that will last for many years. All screws on cabinet exterior are coated for a long-lasting, rust-resistant, quality appearance.
- UNIT DESIGN:** The copper tube, enhanced sine wave, aluminum fin coil is designed for optimum heat transfer. Vertical air discharge carries sound and hot condenser air up and away from adjacent patio areas and foliage. The base pan is designed for easy removal of water, dirt, and leaves.
- COMPRESSOR:** Each compressor is protected with internal temperature- and current-sensitive overloads. An internal pressure relief valve provides high-pressure protection to the refrigerant system. For improved serviceability, all models are equipped with a compressor terminal plug.
- SERVICE VALVES:** Both service valves are brass, front seating type with sweat connections. Valves are externally located so refrigerant tube connections can be made quickly and easily. Each valve has a service port for ease of checking operating refrigerant pressures.
- SERVICEABILITY:** One panel provides access to electrical controls. Removal of top gives access to fan motor, compressor, and condenser coil.

NOTES:

1. Allow 30 in. clearance to service side of unit, 48 in. above unit, 6 in. on one side, 12 in. on remaining side, and 24 in. between units for proper airflow.
2. Minimum outdoor operating ambient in cooling mode is 55°F max 125°F.

3. Series designation is the 14th position of the unit model number.
4. Center of gravity 



A96237

DIMENSIONS (IN.)

UNIT SIZE	SERIES	A	B	C	D	E	F	J	M	N	P	SHIPPING WEIGHT (Lb)
018	G	22-1/2	21-15/16	3-3/16	5/8	18-1/2	4-1/16	8-3/16	12-1/8	12-1/4	9-3/4	117
024	G	22-1/2	21-15/16	3-3/16	5/8	18-1/2	4-1/16	8-3/16	12-1/8	12-1/4	10-3/4	126
030	G	22-1/2	23-15/16	3-3/16	3/4	18-1/2	4-1/16	8-3/16	12-1/8	12-1/4	11-1/4	132
036 (3 phase)	G	22-1/2	29-15/16	3-3/16	3/4	18-1/2	4-1/16	8-3/16	12-1/8	12-1/4	11-3/4	147
036	G	22-1/2	27-15/16	3-3/16	3/4	18-1/2	4-1/16	8-3/16	12-1/8	12-1/4	11-3/4	147
042	G, H	22-1/2	29-15/16	3-1/4	7/8	18-1/2	4-1/16	8-3/16	12-1/8	12-1/4	11-3/4	138
048	G	22-1/2	29-15/16	3-1/4	7/8	18-1/2	4-1/16	8-3/16	12-1/8	12-1/4	16	177
048	H	22-1/2	33-15/16	3-1/4	7/8	18-1/2	4-1/16	8-3/16	12-1/8	12-1/4	15-1/2	175
060	G	30	35-15/16	3-1/4	7/8	23-1/2	6-1/2	10	14-1/2	16	16	204

NOTE: The data in this publication is displayed for all series, however, every series may not be available from manufacturer.



APPROVALS
ISO 9001
EN 29001
BS 5750 PART 1
ANSI/ASQC Q91



REGISTERED QUALITY SYSTEM

CERTIFICATION APPLIES ONLY WHEN THE COMPLETE SYSTEM IS LISTED WITH ARI.

SOUND POWER (A-wtd., non-pure tone corrected.)

UNIT SIZE	SOUND LEVEL	OCTAVE BAND CENTER FREQUENCY (Hz)						
		125	250	500	1000	2000	4000	8000
018-G	80	49.4	57.4	65.2	70.2	65.8	65.0	57.3
024-G	80	49.8	58.8	68.8	70.2	65.4	65.8	57.6
030-G	80	53.5	66.3	70.3	72.3	70.0	66.3	60.8
036-G (3 phase)	83	56.0	64.0	71.0	74.0	71.0	69.0	65.6
036-G	82	55.1	67.3	71.4	75.1	73.1	68.5	61.7
042-G	82	55.5	65.8	69.1	71.6	73.4	71.5	61.4
042-H	82	56.7	67.6	71.4	76.0	75.4	73.8	68.4
048-G	82	53.0	65.1	68.4	72.7	72.9	70.4	63.1
048-H	82	59.4	65.4	71.5	77.8	74.6	72.0	66.5
060-G	82	56.9	68.0	70.9	73.9	77.5	72.2	64.7

NOTE: Tested in accordance with ARI standard 270.95. (Not listed with ARI.)

METERING DEVICE

UNIT SIZE-SERIES	PISTON* IDENTIFICATION NO.
018-G	49
024-G	59
030-G	67
036-G (3 phase)	73
036-G	70
042-G	78
042-H	82
048-G, H	82
060-G	93

* Piston listed is for any approved coil non-capillary tube combination. Piston is shipped with outdoor unit and must be installed in an approved indoor coil.

SPECIFICATIONS

UNIT SIZE	018	024	030
SERIES	G	G	G
ELECTRICAL			
Unit Volts—Hertz—Phase	208-230—60—1		
Operating Voltage Range*	197—253		
Compressor—Rated Load Amps	9.0	11.6	14.8
Locked Rotor Amps	48.0	60.0	73.0
Condenser Fan Motor—Full Load Amps	0.5	0.5	0.8
Min Unit Ampacity for Wire Sizing	11.8	15.0	19.3
Min Wire Size (60°C/75°F Copper) AWG†	14/14	14/14	14/14
Max Wire Length (60°C/75°F) (Ft)‡	66/62	53/50	39/37
Max Branch Circuit Fuse Size**	20	20	25
COMPRESSOR & REFRIGERANT			
Compressor—Type	Reciprocating		
Temperature and Current Protection	Internal Line Break		
Refrigerant—Type and Amount (Lbs)	R-22 3.75	R-22 4.00	R-22 4.13
Refrigerant Tubes (In. OD) Vapor and Liquid (Up to 50 Ft)	5/8 and 3/8		3/4 and 3/8
CONDENSER COIL & FAN			
Coil Face Area (Sq Ft)	6.54	6.54	7.27
Fan Motor—HP, Type, and RPM	1/12 PSC and 1125		1/10 PSC and 1125
Volts—Hertz—Phase	208/230—60—1		
Condenser Airflow (CFM)	1700	1700	2000
OPTIONAL EQUIPMENT			
Cycle Protector	KSACY0101AAA		
Start Assist—PTC Type	KAACS0201PTC		
Start Assist—Capacitor/Relay Type	KSAHS0901AAA		
Low-Pressure Switch	KAALP0101LPS		
High-Pressure Switch	KSAHI0101HPS		
Time-Delay Relay	KAATD0101TDR		
Winter Start Control	KAAWS0101AAA		
Evaporator Freeze Thermostat	KAAFT0101AAA		
Crankcase Heater	KAACH1001AAA		
Liquid Line Solenoid Valve††	KAALS0101LLS		
Filter Drier	P502-8083S		
Coastal Filter	KAACF0401MED		
TXV Kit (RPB)	KAATX0201RPB	KAATX0301RPB	KAATX0401RPB
TXV (Hard Shutoff)††	KSATX0601HSO		
Thermostat, Manual Changeover, Non-Programmable, °F/°C, 1-Stage Heat, 1-Stage Cool‡‡	TSTATPPBAC01-B		
Thermostat, Manual Changeover, 5-2-Day Programmable, °F/°C, 1-Stage Heat, 1-Stage Cool	TSTATPPSAC01-B		
Backplate for Standard Thermostat	TSTATXXBBP01		
Backplate for Programmable Thermostat	TSTATXXPBP01		
Outdoor Air Temperature Sensor	TSTATXXSEN01-B		
MotorMaster® Control	32LT660004		
Ball Bearing Fan Motor	HC34GE232		

See notes on page 5.

SPECIFICATIONS Continued

UNIT SIZE	036		042
SERIES	G	G	G/H
ELECTRICAL			
Unit Volts—Hertz—Phase	208-230-60-1	208/230-60-3	208-230—60—1
Operating Voltage Range*	197-253	187-253	197-253
Compressor—Rated Load Amps	16.0	10.1	20.5/19.2
Locked Rotor Amps	82.0	70.0	115.0/102.0
Condenser Fan Motor—Full Load Amps	1.4		
Min Unit Ampacity for Wire Sizing	21.4	14.0	27.0/25.4
Min Wire Size (60°C/75°F Copper) AWG†	12/12	14/14	10/10
Max Wire Length (60°C/75°F) (Ft)‡	57/54	65/62	67/63
Max Branch Circuit Fuse Size**	30	20	40
COMPRESSOR & REFRIGERANT			
Compressor—Type	Reciprocating		Scroll/Recip
Temperature and Current Protection	Internal Line Break		
Refrigerant—Type and Amount (Lbs)	R-22 4.88	R-22 5.38	R-22 5.10
Refrigerant Tubes (In. OD) Vapor and Liquid (Up to 50 Ft)	3/4 and 3/8		7/8 and 3/8
CONDENSER COIL & FAN			
Coil Face Area (Sq Ft)	8.72	9.4	9.45
Fan Motor—HP, Type, and RPM	1/4 PSC and 1125		
Volts—Hertz—Phase	208/230—60—1		
Condenser Airflow (CFM)	2500		
OPTIONAL EQUIPMENT			
Cycle Protector	KSACY0101AAA		
Start Assist—PTC Type	KAACS0201PTC		
Start Assist—Capacitor/Relay Type	KSAHS1901AAA	N/A	KSAHS1501AAA/ KSAHS2201AAA
Low-Pressure Switch	KAALP0101LPS		
High-Pressure Switch	KSAHI0101HPS		
Time-Delay Relay	KAATD0101TDR		
Winter Start Control	KAAWS0101AAA		
Evaporator Freeze Thermostat	KAAFT0101AAA		
Crankcase Heater	KAACH1001AAA	KAACH1201AAA/ KAACH1001AAA	
Liquid Line Solenoid Valve††	KAALS0101LLS		
Filter Drier	P502-8083S	P502-8163S	
Coastal Filter	KAACF0401MED		
TXV Kit (RPB)	KAATX0501RPB		
TXV (Hard Shutoff)††	KSATX0601 HSO		
Thermostat, Manual Changeover, Non-Programmable, °F/°C, 1-Stage Heat, 1-Stage Cool‡‡	TSTATPPBAC01-B		
Thermostat, Manual Changeover, 5-2-Day Programmable, °F/°C, 1-Stage Heat, 1-Stage Cool	TSTATPPSAC01-B		
Backplate for Standard Thermostat	TSTATXXBBP01		
Backplate for Programmable Thermostat	TSTATXXBP01		
Outdoor Air Temperature Sensor	TSTATXXSEN01-B		
MotorMaster® Control	32LT660004		
Ball Bearing Fan Motor	HC40GE232		

See notes on page 5.

SPECIFICATIONS Continued

UNIT SIZE	048		060		
SERIES	G/H	G/H	G	G	G
ELECTRICAL					
Unit Volts—Hertz—Phase	208-230-60-1	208/230-60-3	208-230-60-1	208/230-60-3	460-60-3
Operating Voltage Range*	197-253	187-253	197-253	187-253	414-506
Compressor—Rated Load Amps	24.4/24.1	14.1/12.8	28.9	18.2	8.5
Locked Rotor Amps	140.0/131.0	105.0/91.0	165.0	125.0	66.5
Condenser Fan Motor—Full Load Amps	1.4		1.4		0.8
Min Unit Ampacity for Wire Sizing	31.9/31.6	19.0/17.4	37.5	24.2	11.5
Min Wire Size (60°C/75°F Copper) AWG†	8/10	14/14	8/8	12/12	14/14
Max Wire Length (60°C/75°F) (Ft)‡	97/59	48/46	82/78	58/55	152/144
Max Branch Circuit Fuse Size**	50	30	60	40	15
COMPRESSOR & REFRIGERANT					
Compressor—Type	Scroll				
Temperature and Current Protection	Internal Line Break				
Refrigerant—Type and Amount (Lbs)	R-22 6.00/6.10		R-22 7.60		
Refrigerant Tubes (In. OD) Vapor and Liquid (Up to 50 Ft)	7/8 and 3/8		1-1/8 and 3/8		
CONDENSER COIL & FAN					
Coil Face Area (Sq Ft)	9.45/10.9		17.14		
Fan Motor—HP, Type, and RPM	1/4 PSC and 1125				
Volts—Hertz—Phase	208-230—60—1				460—60—1
Condenser Airflow (CFM)	2500		3400		
OPTIONAL EQUIPMENT					
Cycle Protector	KSACY0101AAA				
Start Assist—PTC	KAACS0201PTC	N/A	KAACS0201PTC	N/A	
Start Assist—Capacitor/Relay Type	KSAHS1601AAA/ KSAHS1501AAA	N/A	KSAHS1601AAA	N/A	
Low-Pressure Switch	KAALP0101LPS				
High-Pressure Switch	KSAHI0101HPS				
Time-Delay Relay	KAATD0101TDR				
Winter Start Control	KAAWS0101AAA				
Evaporator Freeze Thermostat	KAAFT0101AAA				
Crankcase Heater	KAACH1201AAA				KAACH1301AAA
Liquid Line Solenoid Valve††	KAALS0101LLS				
Filter Drier	P502-8163S				
Coastal Filter	KAACF0401MED			KAACF0501LRG	
TXV Kit (RPB)	KAATX0601RPB		KAATX0701RPB		
TXV Hard Shutoff†††	KSATX0701HSO			KSATX1001HSO	
Thermostat, Manual Changeover, Non-Programmable, °F/°C, 1 Stage Heat, 1 Stage Cool‡‡	TSTATPPBAC01-B				
Thermostat, Manual Changeover, 5-2-Day Programmable, °F/°C, 1-Stage Heat, 1-Stage Cool	TSTATPPSAC01-B				
Backplate for Standard Thermostat	TSTATXXBBP01				
Backplate for Programmable Thermostat	TSTATXXBP01				
Outdoor Air Temperature Sensor	TSTATXXSEN01-B				
MotorMaster® Control	32LT660004				32LT660005
Ball Bearing Fan Motor	HC40GE232				HC40GE462

* Permissible limits of the voltage range at which unit will operate satisfactorily. Operation outside these limits may result in unit failure.

† If wire is applied at ambient greater than 30°C (86°F), consult Table 310-16 of the NEC (ANSI/NFPA 70).

The ampacity of nonmetallic-sheathed cable (NM), trade name ROMEX, shall be that of 60°C (140°F) conductors, per the NEC (ANSI/NFPA 70) Article 336-26.

‡ Length shown is as measured 1 way along wire path between unit and service panel for voltage drop not to exceed 2%.

** Time-delay fuse or circuit breaker.

†† Start assist capacitor and relay required when using liquid solenoid valve or hard shutoff TXV (except 048 and 060 Sizes). Do not use hard shutoff TXV with liquid solenoid valve.

‡‡ Furnace model numbers P08UA, P08LA, and PG8HA are not compatible with this thermostat.

N/A—Not applicable in this application.

- NOTES:**
1. Control circuit is 24v on all units and requires external power source.
 2. All motors/compressors contain internal overload protection.
 3. Copper wire must be used from service disconnect to unit.

ACCESSORY USAGE GUIDELINE

ACCESSORY	REQUIRED FOR LOW-AMBIENT APPLICATIONS (Below 55°F)	REQUIRED FOR LONG-LINE APPLICATIONS* (Over 50 Ft)	REQUIRED FOR SEA COAST APPLICATIONS* (Within 2 Miles)
Crankcase Heater	Yes	Yes	No
Evaporator Freeze Thermostat	Yes	No	No
Winter Start Control	Yes†	No	No
Accumulator	No	No	No
Compressor Start Assist Capacitor and Relay	Yes	Yes	No
MotorMaster® Control	Yes	No	No
Wind Baffle	See low-ambient instructions	No	No
Coastal Filter	No	No	Yes
Support Feet	Recommended	No	Recommended
Liquid-Line Solenoid Valve or Hard Shutoff TXV	No	See Long-Line Application Guideline	No
Ball Bearing Fan Motor	Yes	No	No

* For tubing line sets between 50 and 175 ft and/or 20 ft vertical differential, refer to Residential's Split Systems Long-Line Application Guidelines.

† Only when low-pressure switch is used.

ACCESSORY DESCRIPTION AND USAGE (Listed Alphabetically)

1. Ball Bearing Fan Motor

A fan motor with ball bearings which permits speed reduction while maintaining bearing lubrication.

SUGGESTED USE: Required on all units where Low-Ambient kit (full modulation feature) or MotorMaster® Control has been added.

2. Coastal Filter

A mesh screen inserted under the top cover and inside the base pan to protect the condenser coil from salt damage without restricting airflow.

SUGGESTED USE: In geographic areas where salt damage could occur.

3. Compressor Start Assist—Capacitor/Relay Type

Start capacitor and start relay gives "hard" boost to compressor motor at each start-up.

SUGGESTED USE: Installations where interconnecting tube length exceeds 50 ft.

Installations where outdoor design temperature exceeds 105°F (40.6°C).

Replacement installations with hard shutoff expansion valve on indoor coil.

4. Compressor Start Assist—PTC Type

Solid-state electrical device which gives a "soft" boost to the compressor at each start-up.

SUGGESTED USE: Installations with marginal power supply.

Replacement installations with rapid pressure balance (RPB) expansion valve on indoor coil.

5. Crankcase Heater

An electric resistance heater which mounts to the base of the compressor to keep the lubricant warm during off cycles. Improves compressor lubrication on restart and minimizes chance of refrigerant slugging. May or may not include a thermostat control.

SUGGESTED USE: When interconnecting tube length exceeds 50 ft.

When unit will be operated below 55°F (12.8°C) outdoor air temperature. Use with low-ambient controller.

All commercial installations.

6. Cycle Protector

Solid-state timing device which prevents compressor rapid recycling. Control provides an approximate 5-minute delay after power to the compressor has been interrupted for any reason, including normal room thermostat cycling.

SUGGESTED USE: Installations in areas where power interruptions are frequent.

Where user is likely to "play" with the room thermostat.

All commercial installations.

Installations where interconnecting tube length exceeds 50 ft.

High-rise applications.

7. Evaporator Freeze Thermostat

An SPST temperature actuated switch which stops unit operation when evaporator reaches freeze-up conditions.

SUGGESTED USE: All units where winter start control has been added.

8. High-Pressure Switch

Auto reset SPST switch activated by refrigerant pressure on high side of refrigerant circuit. Cycles compressor off if refrigerant pressure rises to about 400 psig. Provides additional protection against compressor damage due to loss of outdoor airflow. To prevent rapid compressor recycling, cycle protector can be used with this switch.

SUGGESTED USE: Installations exposed to very "dirty" outdoor air.

Installations where condenser inlet air temperature exceeds 125°F (51.7°C).

9. Liquid Solenoid Valve (LSV)

An electrically operated shutoff valve to be installed at the outdoor or indoor unit (depending on tubing configuration) and which stops and starts refrigerant liquid flow in response to compressor operation. Maintains a column of refrigerant liquid ready for action at next compressor operation cycle.

Note: Compressor start assist—capacitor/relay type—must also be used.

SUGGESTED USE: For improved system performance in air conditioners for certain combinations of indoor and outdoor units. Refer to ARI Unitary Directory. In certain long line applications. (Refer to Long-Line Application Guideline.)

ACCESSORY DESCRIPTION AND USAGE (Listed Alphabetically) Continued

10. Low-Pressure Switch

Auto reset SPST switch activated by refrigerant pressure on low side of refrigerant circuit. Cycles compressor off if refrigerant pressure drops to about 27 psig. Prevents indoor coil freeze-up due to loss of indoor airflow. Also, provides additional protection against compressor damage due to loss of refrigerant charge. To prevent rapid compressor recycling. Cycle protector can be used with this switch.

SUGGESTED USE: Where indoor coil is exposed to “dirty” air.
All commercial installations.

11. MotorMaster® Control

A fan speed control device activated by a temperature sensor. Designed to control condenser fan motor speed in response to the saturated, condensing temperature during operation in cooling mode only. For outdoor temperatures down to -20°F, it maintains condensing temperature at 100°F ± 10°F.

SUGGESTED USE: Cooling operation at outdoor temperatures below 55°F.
All commercial installations.

12. Sound Hood

Wraparound sound attenuation cover for the compressor. Reduces unit sound level by about 2dBA.

SUGGESTED USE: Unit installed closer than 15 ft to quiet areas—bedrooms, etc.
Unit installed between 2 houses less than 10 ft apart.

13. Thermostatic Expansion Valve (TXV) Kits

A modulating flow control valve which meters refrigerant liquid flow rate into the evaporator in response to the superheat of the refrigerant gas leaving the evaporator. Kit includes valve, adapter tubes, and external equalizer tube. Both hard shutoff and RPB type valves are available.

SUGGESTED USE: For improved system performance in cooling mode for certain combinations of indoor and outdoor units. Refer to ARI Unitary Directory.

14. Time-Delay Relay

An SPST delay relay which briefly continues operation of the indoor blower motor to provide additional cooling after the compressor cycles off.

SUGGESTED USE: For improved efficiency ratings for certain combinations of indoor and outdoor units. Refer to ARI Unitary Directory.

15. Winter Start Control

An SPST delay relay which bypasses the low-pressure switch for approximately 3 minutes to permit start-up for cooling operation under low-load conditions.

SUGGESTED USE: All air conditioners where low-ambient controller has been added.

RATINGS AND PERFORMANCE

UNIT SIZE-SERIES	INDOOR MODEL	TOT. CAP. BTUH	FACTORY SUPPLIED ENHANCE- MENT	SEER			EER
				STANDARD RATING	PAYNE GAS FURNACE OR ACCESSORY TDR†	ACCESSORY TXV‡	
018-G	*CC5A/CD5AA018	17,200	NONE	—	10.00	10.00	9.50
	CC5A/CD5AA024	17,400	NONE	—	10.20	10.20	9.75
	CC5A/CD5AW024	17,400	NONE	—	10.20	10.20	9.75
	CE3AA024	17,400	NONE	—	10.20	10.20	9.80
	CF5AA024	17,400	NONE	—	10.20	10.20	9.80
	CK3BA024	17,400	NONE	—	10.20	10.20	9.90
	CK5A/CK5BA018	17,200	NONE	—	10.00	10.00	9.70
	CK5A/CK5BA024	17,400	NONE	—	10.20	10.20	9.90
	CK5A/CK5BW024	17,400	NONE	—	10.20	10.20	9.90
	FF1DNA018	17,200	TDR	10.00	—	10.00	9.90
	FF1DNA024	17,400	TDR	10.20	—	10.20	9.85
	FF1DNE018	17,200	TDR&TXV	10.00	—	—	9.90
	FF1DNE024	17,400	TDR&TXV	10.20	—	—	9.90
	PF1MNA018	17,200	TDR	10.00	—	10.00	9.60
	PF1MNA024	17,400	TDR	10.20	—	10.20	10.00
	PF1MNB018	17,200	TDR	10.00	—	10.00	9.60
	PF1MNB024	17,400	TDR	10.20	—	10.20	10.00
	024-G	*CC5A/CD5AA024	22,000	NONE	—	10.00	10.00
CC5A/CD5AA030		22,400	NONE	—	10.00	10.00	9.15
CC5A/CD5AW024		22,000	NONE	—	10.00	10.00	9.15
CC5A/CD5AW030		22,400	NONE	—	10.00	10.00	9.15
CE3AA024		22,000	NONE	—	10.00	10.00	9.20
CE3AA030		22,400	NONE	—	10.10	10.10	9.30
CF5AA024		22,000	NONE	—	10.00	10.00	9.20
CK3BA024		22,000	NONE	—	10.00	10.00	9.25
CK3BA030		22,400	NONE	—	10.00	10.00	9.20
CK5A/CK5BA024		22,000	NONE	—	10.00	10.00	9.25
CK5A/CK5BA030		22,400	NONE	—	10.00	10.00	9.25
CK5A/CK5BW024		22,000	NONE	—	10.00	10.00	9.25
CK5A/CK5BW030		22,400	NONE	—	10.00	10.00	9.20
FF1DNA024		22,200	TDR	10.00	—	10.00	9.15
FF1DNA030		22,800	TDR	10.10	—	10.10	9.30
FF1DNE024		22,200	TDR&TXV	10.00	—	—	9.15
FF1DNE030		22,800	TDR&TXV	10.10	—	—	9.30
PF1MNA024		22,200	TDR	10.00	—	10.00	9.30
PF1MNA030	22,400	TDR	10.10	—	10.10	9.25	
PF1MNB024	22,200	TDR	10.00	—	10.00	9.30	
PF1MNB030	22,400	TDR	10.10	—	10.10	9.25	
030-G	*CC5A/CD5AA030	27,600	NONE	—	10.00	10.00	8.80
	CC5A/CD5AA036	28,400	NONE	—	10.20	10.20	9.00
	CC5A/CD5AW030	27,600	NONE	—	10.00	10.00	8.80
	CC5A/CD5AW036	28,400	NONE	—	10.20	10.20	9.00
	CE3AA030	27,600	NONE	—	10.10	10.10	8.90
	CE3AA036	28,400	NONE	—	10.20	10.20	8.95
	CF5AA036	28,400	NONE	—	10.10	10.10	9.00
	CK3BA030	27,600	NONE	—	10.00	10.00	8.85
	CK3BA036	28,400	NONE	—	10.20	10.20	9.05
	CK5A/CK5BA030	27,600	NONE	—	10.00	10.00	8.85
	CK5A/CK5BA036	28,400	NONE	—	10.20	10.20	9.05
	CK5A/CK5BT036	28,400	NONE	—	10.20	10.20	9.05
	CK5A/CK5BW030	27,600	NONE	—	10.00	10.00	8.85
	CK5A/CK5BW036	28,400	NONE	—	10.20	10.20	9.05
	FF1DNA030	27,600	TDR	10.00	—	10.00	8.90
	FF1DNE030	27,600	TDR&TXV	10.00	—	—	8.90
	PF1MNA030	27,600	TDR	10.00	—	10.00	8.95
	PF1MNA036	28,400	TDR	10.10	—	10.10	8.85
PF1MNB030	27,600	TDR	10.00	—	10.00	8.95	
PF1MNB036	28,400	TDR	10.10	—	10.10	8.85	
036-G (3 Phase)	*CC5A/CD5AA036	33,800	NONE	10.00	10.30	10.30	8.90
	CC5A/CD5AA042	33,800	NONE	10.00	10.30	10.30	8.90
	CC5A/CD5AW036	33,800	NONE	10.00	10.30	10.30	8.90
	CE3AA036	33,400	NONE	10.00	10.30	10.30	9.00
	CE3AA042	33,600	NONE	10.00	10.50	10.50	9.25
	CF5AA036	33,600	NONE	10.00	10.20	10.20	8.85
	CK3BA036	33,800	NONE	10.00	10.30	10.30	8.90
	CK3BA042	33,800	NONE	10.00	10.30	10.30	8.90
	CK5A/CK5BA036	33,800	NONE	10.00	10.30	10.30	8.90
	CK5A/CK5BA042	33,800	NONE	10.00	10.30	10.30	8.90
	CK5A/CK5BT036	33,800	NONE	10.00	10.30	10.30	8.90
	CK5A/CK5BT042	33,800	NONE	10.00	10.30	10.30	8.90
CK5A/CK5BW036	33,800	NONE	10.15	10.30	10.30	8.90	
036-G (1 Phase)	*CC5A/CD5AA036	33,800	NONE	—	10.00	10.00	9.30
	CC5A/CD5AA042	33,800	NONE	—	10.00	10.00	9.30
	CC5A/CD5AW036	33,800	NONE	—	10.00	10.00	9.30
	CC5A/CD5AW042	33,800	NONE	—	10.00	10.00	9.25
	CE3AA036	33,400	NONE	—	10.00	10.00	9.20
	CE3AA042	33,600	NONE	—	10.00	10.00	9.35
	CF5AA036	33,600	NONE	—	10.00	10.00	9.25
	CK3BA036	33,800	NONE	—	10.00	10.00	9.30
	CK3BA042	33,800	NONE	—	10.00	10.00	9.30
	CK5A/CK5BA036	33,800	NONE	—	10.00	10.00	9.30
	CK5A/CK5BA042	33,800	NONE	—	10.00	10.00	9.30
	CK5A/CK5BT036	33,800	NONE	—	10.00	10.00	9.30
CK5A/CK5BT042	33,800	NONE	—	10.00	10.00	9.30	
CK5A/CK5BW036	33,800	NONE	—	10.00	10.00	9.30	

See notes on page 10.

RATINGS AND PERFORMANCE Continued

UNIT SIZE-SERIES	INDOOR MODEL	TOT. CAP. BTUH	FACTORY SUPPLIED ENHANCE- MENT	SEER			EER
				STANDARD RATING	PAYNE GAS FURNACE OR ACCESSORY TDR†	ACCESSORY TXV‡	
036-G (1 Phase)	PF1MNA036	33,200	TDR	10.00	—	10.00	9.05
	PF1MNA042	33,800	TDR	10.20	—	10.20	9.25
	PF1MNA071	35,000	TDR&TXV	11.00	—	—	10.60
	PF1MNB036	33,200	TDR	10.00	—	10.00	9.05
	PF1MNB042	33,800	TDR	10.20	—	10.20	9.25
	PF1MNB071	35,000	TDR&TXV	11.00	—	—	10.60
042-G, H	*CC5A/CD5AA042	40,000	NONE	—	10.00	10.00	9.15
	CC5A/CD5AC048	39,500	NONE	—	10.00	10.00	9.05
	CC5A/CD5AW042	40,000	NONE	—	10.00	10.00	9.05
	CC5A/CD5AW048	40,500	NONE	—	10.00	10.00	9.15
	CD5AA048	40,500	NONE	—	10.00	10.00	9.15
	CE3AA042	40,000	NONE	—	10.00	10.00	9.20
	CE3AA048	40,500	NONE	—	10.00	10.00	9.20
	CF5AA048	40,500	NONE	—	10.00	10.00	9.15
	CK3BA042	40,000	NONE	—	10.00	10.00	9.15
	CK3BA048	40,500	NONE	—	10.00	10.00	9.20
	CK5A/CK5BA042	40,000	NONE	—	10.00	10.00	9.15
	CK5A/CK5BA048	40,500	NONE	—	10.00	10.00	9.20
	CK5A/CK5BE042	40,500	NONE	—	10.00	10.00	9.20
	CK5A/CK5BT042	40,000	NONE	—	10.00	10.00	9.15
	CK5A/CK5BT048	40,500	NONE	—	10.00	10.00	9.20
	CK5A/CK5BW048	40,500	NONE	—	10.00	10.00	9.20
	PF1MNB042	40,000	TDR	10.00	—	10.00	9.05
	PF1MNB048	41,000	TDR	10.00	—	10.00	9.15
PF1MNB071	42,000	TDR&TXV	11.00	—	—	10.30	
048-G, H (1 & 3 Phase)	*CD5AA048	45,500	NONE	—	10.00	10.00	8.90
	CC5A/CD5AA060	45,500	NONE	—	10.00	10.00	8.90
	CC5A/CD5AC048	44,500	NONE	—	10.00	10.00	8.80
	CC5A/CD5AW048	45,500	NONE	—	10.00	10.00	8.90
	CC5A/CD5AW060	46,000	NONE	—	10.00	10.00	9.05
	CE3AA048	45,500	NONE	—	10.00	10.00	9.00
	CE3AA060	46,000	NONE	—	10.00	10.00	9.10
	CF5AA048	45,500	NONE	—	10.00	10.00	8.95
	CK3BA048	45,500	NONE	—	10.00	10.00	8.90
	CK3BA060	45,500	NONE	—	10.00	10.00	9.05
	CK5A/CK5BA048	45,500	NONE	—	10.00	10.00	8.90
	CK5A/CK5BA060	45,500	NONE	—	10.00	10.00	9.05
	CK5A/CK5BT048	45,500	NONE	—	10.00	10.00	8.90
	CK5A/CK5BT060	45,500	NONE	—	10.00	10.00	9.05
	CK5A/CK5BW048	45,500	NONE	—	10.00	10.00	8.90
	CK5A/CK5BX060	46,000	NONE	—	10.00	10.00	9.15
	PF1MNB048	45,500	TDR	10.00	—	10.00	8.85
	PF1MNB060	46,000	TDR	10.00	—	10.00	8.85
PF1MNB070	46,500	TDR	10.00	—	10.00	9.10	
PF1MNB071	46,500	TDR&TXV	11.00	—	—	9.95	
060-G (1 & 3 Phase)	*CC5A/CD5AW060	57,000	NONE	—	10.00	10.00	9.35
	CC5A/CD5AA060	56,000	NONE	—	10.00	10.00	9.25
	CE3AA060	57,000	NONE	—	10.00	10.00	9.45
	CK3BA060	56,000	NONE	—	10.00	10.00	9.30
	CK5A/CK5BA060	56,000	NONE	—	10.00	10.00	9.30
	CK5A/CK5BT060	56,000	NONE	—	10.00	10.00	9.30
	CK5A/CK5BX060	57,000	NONE	—	10.00	10.00	9.50
	PF1MNA060	57,500	TDR	10.00	—	10.00	9.10
	PF1MNA070	58,000	TDR	10.50	—	10.50	9.45
	PF1MNA071	58,000	TDR&TXV	11.00	—	—	9.90
	PF1MNB060	57,500	TDR	10.00	—	10.00	9.10
	PF1MNB070	58,000	TDR	10.50	—	10.50	9.45
PF1MNB071	58,000	TDR&TXV	11.00	—	—	9.90	

See notes on page 10.

* Tested Combination

† In most cases, only 1 method should be used to achieve TDR function. Using more than 1 method in a system may cause degradation in performance. Use either the accessory Time-Delay Relay KAATD0101TDR or a furnace equipped with TDR. Most Payne furnaces are equipped with TDR.

‡ Requires hard shutoff TXV; based on computer simulation.

EER — Energy Efficiency Ratio

SEER — Seasonal Energy Efficiency Ratio

TDR — Time-Delay Relay

TXV — Thermostatic Expansion Valve

N/A — Not Applicable

- NOTES:**
1. Ratings are net values reflecting the effects of circulating fan motor heat. Supplemental electric heat is not included.
 2. Tested outdoor/indoor combinations have been tested in accordance with DOE test procedures for central air conditioners. Ratings for other combinations are determined under DOE computer simulation procedures.
 3. Determine actual CFM values obtainable for your system by referring to fan performance data in fan-coil or furnace-coil literature.
 4. Minimum outdoor operating ambient in cooling mode is 55°F (12.8°C), maximum 115°F (46.1°C).
 5. The dashes (—) appearing in the SEER WITH ACCESSORY TDR column indicate no improvement in efficiency due to time-delay function built into unit as manufactured (see table).

DETAILED COOLING CAPACITIES*

EVAPORATOR AIR		CONDENSER ENTERING AIR TEMPERATURES °F														
		75			85			95			105			115		
CFM	EWB	Capacity MBtu/h†		Total System kW**	Capacity MBtu/h†		Total System kW**	Capacity MBtu/h†		Total System kW**	Capacity MBtu/h†		Total System kW**	Capacity MBtu/h†		Total System kW**
		Total	Sens‡		Total	Sens‡		Total	Sens‡		Total	Sens‡		Total	Sens‡	
PA10JA018-G Outdoor Section With CC5A/CD5AA018 Indoor Section																
525	72	20.04	10.16	1.64	19.49	9.99	1.73	18.72	9.70	1.83	17.73	9.34	1.93	16.61	8.92	2.03
	67	18.66	12.48	1.61	17.81	12.16	1.70	16.76	11.78	1.79	15.62	11.27	1.86	14.52	10.81	1.93
	62	16.82	14.59	1.58	15.81	14.12	1.65	14.77	13.60	1.71	13.71	13.05	1.78	12.63	12.50	1.84
	57	15.56	15.56	1.55	14.80	14.80	1.61	14.07	14.07	1.68	13.27	13.27	1.75	12.50	12.50	1.83
600	72	20.24	10.40	1.68	19.76	10.29	1.77	19.03	10.06	1.87	18.07	9.74	1.97	16.99	9.36	2.07
	67	19.03	13.07	1.65	18.24	12.84	1.74	17.20	12.47	1.83	16.02	12.00	1.92	14.85	11.52	1.98
	62	17.30	15.54	1.62	16.26	15.06	1.70	15.16	14.49	1.76	14.11	13.91	1.83	13.07	13.07	1.90
	57	16.30	16.30	1.60	15.55	15.55	1.68	14.73	14.73	1.74	13.93	13.93	1.82	13.07	13.07	1.89
675	72	20.37	10.60	1.71	19.95	10.56	1.81	19.26	10.39	1.90	18.33	10.11	2.00	17.28	9.78	2.11
	67	19.29	13.56	1.69	18.54	13.45	1.77	17.52	13.13	1.87	16.34	12.70	1.96	15.11	12.22	2.03
	62	17.65	16.34	1.66	16.61	15.92	1.74	15.47	15.47	1.81	14.51	14.51	1.88	13.59	13.59	1.95
	57	16.96	16.96	1.64	16.18	16.18	1.73	15.36	15.36	1.80	14.49	14.49	1.87	13.60	13.60	1.95
Multipliers for Determining the Performance With Other Indoor Sections																
Indoor Section	Size	Cooling		Indoor Section	Size	Cooling										
		Capacity	Power			Capacity	Power									
CC5A/CD5AA	018	1.00	1.00	FF1DNA	018	1.00	0.96									
	024	1.01	0.99		024	1.01	0.98									
CC5A/CD5AW	024	1.01	0.99	FF1DNE	018	1.00	0.96									
CE3AA	024	1.01	0.98		024	1.01	0.97									
CF5AA	024	1.01	0.98	PF1MNA	018	1.00	0.99									
CK3BA	024	1.01	0.97		024	1.01	0.96									
CK5A/CK5BA	018	1.00	0.98	PF1MNB	018	1.00	0.99									
	024	1.01	0.97		024	1.01	0.96									
CK5A/CK5BW	024	1.01	0.97	—	—	—										
PA10JA024-G Outdoor Section With CC5A/CD5AA024 Indoor Section																
700	72	25.96	13.30	2.17	25.14	13.03	2.30	24.03	12.65	2.43	22.69	12.15	2.56	21.17	11.57	2.70
	67	24.01	16.40	2.12	22.85	15.96	2.24	21.47	15.43	2.35	19.99	14.78	2.45	18.53	14.19	2.54
	62	21.61	19.21	2.06	20.27	18.56	2.16	18.91	17.87	2.23	17.55	17.13	2.31	16.27	16.27	2.41
	57	20.25	20.25	2.02	19.25	19.25	2.11	18.27	18.27	2.20	17.25	17.25	2.30	16.25	16.25	2.41
800	72	26.28	13.68	2.22	25.54	13.52	2.35	24.48	13.20	2.48	23.17	12.75	2.62	21.68	12.23	2.76
	67	24.52	17.25	2.17	23.39	16.92	2.29	22.00	16.42	2.41	20.54	15.82	2.52	18.96	15.20	2.61
	62	22.21	20.49	2.11	20.84	19.86	2.22	19.47	19.06	2.30	18.14	18.14	2.39	17.00	17.00	2.50
	57	21.27	21.27	2.09	20.23	20.23	2.20	19.17	19.17	2.29	18.12	18.12	2.39	17.01	17.01	2.50
900	72	26.49	14.02	2.27	25.81	13.93	2.40	24.79	13.68	2.54	23.51	13.29	2.67	22.05	12.83	2.82
	67	24.86	18.02	2.22	23.77	17.78	2.34	22.41	17.35	2.46	20.91	16.79	2.59	19.26	16.13	2.68
	62	22.66	21.63	2.16	21.32	20.97	2.27	19.98	19.98	2.37	18.81	18.81	2.47	17.70	17.70	2.58
	57	22.10	22.10	2.15	21.10	21.10	2.27	19.95	19.95	2.37	18.82	18.82	2.47	17.71	17.71	2.58
Multipliers for Determining the Performance With Other Indoor Sections																
Indoor Section	Size	Cooling		Indoor Section	Size	Cooling										
		Capacity	Power			Capacity	Power									
CC5A/CD5AA	024	1.00	1.00	CK5A/CK5BW	024	1.00	0.99									
	030	1.02	1.02		030	1.02	1.01									
CC5A/CD5AW	024	1.00	1.00	FF1DNA	024	1.01	1.01									
	030	1.02	1.02		030	1.04	1.02									
CE3AA	024	1.00	0.99	FF1DNE	024	1.01	1.01									
	030	1.02	1.00		030	1.04	1.02									
CF5AA	024	1.00	0.99	PF1MNA	024	1.01	0.99									
CK3BA	024	1.00	0.99		030	1.02	1.01									
	CK5A/CK5BA	024	1.00	0.99	PF1MNB	024	1.01	0.99								
030		1.02	1.01	030		1.02	1.01									
—	—	—	—	—	—	—										

See notes on page 15.

DETAILED COOLING CAPACITIES* Continued

EVAPORATOR AIR		CONDENSER ENTERING AIR TEMPERATURES °F														
		75			85			95			105			115		
		Capacity MBtu/h†		Total System kW**	Capacity MBtu/h†		Total System kW**	Capacity MBtu/h†		Total System kW**	Capacity MBtu/h†		Total System kW**	Capacity MBtu/h†		Total System kW**
CFM	EWB	Total	Sens‡		Total	Sens‡		Total	Sens‡		Total	Sens‡		Total	Sens‡	
PA10JA030-G Outdoor Section With CC5A/CD5AA030 Indoor Section																
875	72	32.78	16.93	2.77	31.44	16.44	2.97	29.95	15.92	3.17	28.26	15.32	3.36	26.55	14.69	3.57
	67	30.22	20.88	2.70	28.71	20.32	2.89	27.05	19.67	3.07	25.36	18.97	3.26	23.66	18.28	3.41
	62	27.36	24.61	2.63	25.72	23.81	2.79	24.16	22.99	2.93	22.63	22.13	3.08	21.08	21.08	3.22
	57	25.88	25.88	2.58	24.76	24.76	2.74	23.49	23.49	2.89	22.30	22.30	3.05	21.05	21.05	3.22
1000	72	33.22	17.48	2.84	31.90	17.05	3.04	30.41	16.60	3.24	28.73	16.04	3.44	26.96	15.43	3.64
	67	30.86	22.04	2.77	29.29	21.52	2.96	27.60	20.90	3.14	25.89	20.27	3.33	24.03	19.51	3.50
	62	28.00	26.20	2.69	26.39	25.39	2.87	24.75	24.53	3.02	23.27	23.27	3.17	21.93	21.93	3.34
	57	27.10	27.10	2.67	25.80	25.80	2.85	24.57	24.57	3.01	23.26	23.26	3.17	21.94	21.94	3.34
1125	72	33.53	17.96	2.90	32.19	17.57	3.10	30.73	17.19	3.31	29.08	16.70	3.51	27.24	16.10	3.71
	67	31.26	23.06	2.84	29.69	22.64	3.02	28.02	22.07	3.21	26.23	21.43	3.40	24.33	20.67	3.58
	62	28.51	27.59	2.76	26.89	26.89	2.94	25.40	25.40	3.12	24.04	24.04	3.29	22.71	22.71	3.46
	57	28.03	28.03	2.75	26.74	26.74	2.93	25.42	25.42	3.12	24.05	24.05	3.29	22.72	22.72	3.46
Multipliers for Determining the Performance With Other Indoor Sections																
Indoor Section	Size	Cooling		Indoor Section	Size	Cooling										
		Capacity	Power			Capacity	Power									
CC5A/CD5AA	030	1.00	1.00	CK5A/CK5BT	036	1.03	1.00									
	036	1.03	1.01		CK5A/CK5BW	030	1.00	0.99								
CC5A/CD5AW	030	1.00	1.00	FF1DNA	036	1.03	1.00									
	036	1.03	1.01		030	1.00	0.99									
CE3AA	030	1.00	0.99	PF1MNA	030	1.00	0.98									
	036	1.03	1.01		036	1.03	1.02									
CF5AA	036	1.03	1.01	PF1MNB	030	1.00	0.98									
CK3BA	030	1.00	0.99		036	1.03	1.02									
	036	1.03	1.00		—	—	—									
CK5A/CK5BA	030	1.00	0.99	—	—	—										
	036	1.03	1.00	—	—	—										
PA10PA036-G Outdoor Section With CC5A/CD5AA036 Indoor Section																
1050	72	39.6	19.4	3.04	38.1	18.9	3.40	36.4	18.3	3.77	34.6	17.6	4.15	32.6	16.9	4.53
	67	36.3	24.6	3.00	34.8	24.0	3.34	33.2	23.3	3.70	31.4	22.6	4.06	29.5	21.8	4.41
	62	33.1	29.5	2.96	31.7	28.8	3.29	30.1	28.0	3.63	28.5	27.2	3.97	26.7	26.1	4.29
	57	31.6	31.6	2.90	30.5	30.5	3.23	29.3	29.3	3.57	27.9	27.9	3.91	26.4	26.4	4.29
1200	72	40.2	20.3	3.10	38.7	19.7	3.46	37.0	19.1	3.83	35.1	18.5	4.21	33.1	17.7	4.59
	67	36.9	26.1	3.05	35.5	25.5	3.40	33.8	24.8	3.76	32.0	24.1	4.12	30.0	23.3	4.48
	62	33.8	31.5	3.01	32.4	30.8	3.34	30.8	29.9	3.69	29.1	38.9	4.03	27.4	27.4	4.37
	57	32.8	32.8	2.97	31.7	31.7	3.30	30.4	30.4	3.64	29.0	29.0	3.99	27.4	27.4	4.38
1350	72	40.7	21.1	3.15	39.2	20.5	3.51	37.5	19.9	3.88	35.6	19.3	4.26	33.5	18.5	4.65
	67	37.4	27.5	3.10	35.9	26.9	3.45	34.3	26.2	3.81	32.4	25.5	4.17	30.4	24.7	4.53
	62	34.4	33.2	3.06	32.9	32.4	3.40	31.4	31.3	3.74	29.9	29.9	4.10	28.3	28.3	4.46
	57	33.9	33.9	3.06	32.7	32.7	3.36	31.4	31.4	3.71	29.9	29.9	4.06	28.3	28.3	4.47
Multipliers for Determining the Performance With Other Indoor Sections																
Indoor Section	Size	Cooling		Indoor Section	Size	Cooling										
		Capacity	Power			Capacity	Power									
CC5A/CD5AA	036	1.00	1.00	CK3BA	036	1.00	1.00									
	042	1.00	1.00		042	1.00	1.00									
CC5A/CD5AW	036	1.00	1.00	CK5A/CK5BA	036	1.00	1.00									
CE3AA	036	0.99	0.98		042	1.00	1.00									
	042	0.99	0.96	CK5A/CK5BT	036	1.00	1.00									
CF5AA	036	0.99	1.00		042	1.00	1.00									
	—	—	—	—	CK5A/CK5BW	036	1.00	1.00								

See notes on page 15.

DETAILED COOLING CAPACITIES* Continued

EVAPORATOR AIR		CONDENSER ENTERING AIR TEMPERATURES °F														
		75			85			95			105			115		
		CFM	EWB	Capacity MBtu/h†		Total System kW**	Capacity MBtu/h†		Total System kW**	Capacity MBtu/h†		Total System kW**	Capacity MBtu/h†		Total System kW**	Capacity MBtu/h†
Total	Sens‡			Total	Sens‡		Total	Sens‡		Total	Sens‡		Total	Sens‡		
PA10JA036-G Outdoor Section With CC5A/CD5AA036 Indoor Section																
1050	72	40.10	20.78	3.18	38.64	20.34	3.41	36.81	19.70	3.65	34.68	18.95	3.90	32.40	18.12	4.16
	67	37.01	25.79	3.10	35.19	25.14	3.32	33.09	24.32	3.55	30.86	23.38	3.76	28.54	22.45	3.96
	62	33.44	30.40	3.01	31.46	29.44	3.21	29.48	28.41	3.39	27.41	27.41	3.58	25.59	25.59	3.78
	57	31.89	31.89	2.98	30.42	30.42	3.17	28.89	28.89	3.36	27.29	27.29	3.57	25.58	25.58	3.78
1200	72	40.42	21.37	3.26	39.22	21.15	3.49	37.38	20.58	3.73	35.33	19.94	3.98	32.98	19.14	4.25
	67	37.76	27.30	3.18	35.93	26.72	3.40	33.80	25.93	3.63	31.50	25.03	3.87	29.07	24.06	4.06
	62	34.27	32.45	3.09	32.30	31.46	3.30	30.29	30.29	3.49	28.53	28.53	3.70	26.75	26.75	3.91
	57	33.39	33.39	3.07	31.83	31.83	3.29	30.24	30.24	3.49	28.52	28.52	3.70	26.76	26.76	3.91
1350	72	40.97	22.12	3.33	39.58	21.83	3.56	37.81	21.38	3.81	35.78	20.83	4.06	33.34	20.05	4.32
	67	38.22	28.62	3.25	36.44	28.16	3.47	34.35	27.51	3.70	31.97	26.61	3.94	29.47	25.55	4.16
	62	34.94	34.25	3.17	33.09	33.09	3.38	31.35	31.35	3.62	29.54	29.54	3.82	27.73	27.73	4.04
	57	34.56	34.56	3.16	33.04	33.04	3.38	31.33	31.33	3.62	29.60	29.60	3.82	27.74	27.74	4.04
Multipliers for Determining the Performance With Other Indoor Sections																
Indoor Section	Size	Cooling		Indoor Section	Size	Cooling										
		Capacity	Power			Capacity	Power									
CC5A/CD5AA	036	1.00	1.00	CK5A/CK5BT	036	1.00	1.00									
	042	1.00	1.00		042	1.00	1.00									
CC5A/CD5AW	036	1.00	1.00	CK5A/CK5BW	036	1.00	1.00									
	042	1.00	1.01		PF1MNA	036	0.98	1.01								
CE3AA	036	0.99	1.00	042		1.00	1.01									
	042	0.99	0.99	071		1.04	0.91									
CF5AA	036	0.99	1.00	PF1MNB	036	0.98	1.01									
CK3BA	036	1.00	1.00		042	1.00	1.01									
	042	1.00	1.00		071	1.04	0.91									
CK5A/CK5BA	036	1.00	1.00	—	—	—										
	042	1.00	1.00	—	—	—										
PA10JA042-G, H Outdoor Section With CC5A/CD5AA042 Indoor Section																
1225	72	46.43	24.01	3.85	44.90	23.49	4.23	43.00	22.80	4.62	40.88	22.02	5.02	38.55	21.16	5.42
	67	43.01	29.69	3.75	41.25	29.02	4.12	39.28	28.23	4.49	37.02	27.26	4.84	34.70	26.31	5.16
	62	39.24	35.07	3.65	37.45	34.18	3.99	35.40	33.15	4.27	33.29	32.05	4.59	31.09	30.95	4.89
	57	37.24	37.24	3.59	35.82	35.82	3.90	34.26	34.26	4.22	32.62	32.62	4.54	30.92	30.92	4.88
1400	72	47.08	24.86	3.94	45.51	24.41	4.32	43.64	23.79	4.72	41.51	23.07	5.12	39.15	22.25	5.53
	67	43.78	31.34	3.84	41.99	30.74	4.21	40.00	29.98	4.58	37.76	29.10	4.97	35.33	28.12	5.29
	62	40.05	37.33	3.74	38.26	36.48	4.10	36.23	35.34	4.41	34.11	34.11	4.72	32.17	32.17	5.05
	57	38.84	38.84	3.71	37.40	37.40	4.07	35.74	35.74	4.38	34.04	34.04	4.71	32.19	32.19	5.05
1575	72	47.52	25.60	4.02	45.93	25.24	4.40	44.08	24.70	4.81	41.95	24.03	5.22	39.52	23.26	5.62
	67	44.32	32.85	3.93	42.54	32.35	4.29	40.53	31.66	4.67	38.24	30.80	5.05	35.72	29.80	5.41
	62	40.72	39.35	3.83	38.95	38.44	4.19	37.04	37.04	4.54	35.12	35.12	4.87	33.25	33.25	5.21
	57	40.05	40.05	3.81	38.63	38.63	4.18	37.01	37.01	4.54	35.14	35.14	4.87	33.26	33.26	5.21
Multipliers for Determining the Performance With Other Indoor Sections																
Indoor Section	Size	Cooling		Indoor Section	Size	Cooling										
		Capacity	Power			Capacity	Power									
CC5A/CD5AA	042	1.00	1.00	CK5A/CK5BA	042	1.00	1.00									
CC5A/CD5AC	048	0.99	1.00		048	1.01	1.01									
CC5A/CD5AW	042	1.00	1.01	CK5A/CK5BE	042	1.01	1.01									
	048	1.01	1.01		CK5A/CK5BT	042	1.00	1.00								
CD5AA	048	1.01	1.01	048		1.01	1.01									
CE3AA	042	1.00	0.99	CK5A/CK5BW	048	1.01	1.01									
	048	1.01	1.01		PF1MNB	042	1.00	1.01								
CF5AA	048	1.01	1.01	048		1.03	1.03									
CK3BA	042	1.00	1.00	071		1.05	0.93									
	048	1.01	1.01	—	—	—										

See notes on page 15.

DETAILED COOLING CAPACITIES* Continued

EVAPORATOR AIR		CONDENSER ENTERING AIR TEMPERATURES °F														
		75			85			95			105			115		
		Capacity MBtuh†		Total System kW**	Capacity MBtuh†		Total System kW**	Capacity MBtuh†		Total System kW**	Capacity MBtuh†		Total System kW**	Capacity MBtuh†		Total System kW**
CFM	EWB	Total	Sens‡		Total	Sens‡		Total	Sens‡		Total	Sens‡		Total	Sens‡	
PA10J(P)A048-G, H Outdoor Section With CC5A/CD5AA048 Indoor Section																
1400	72	52.44	27.12	4.34	50.89	26.57	4.73	49.02	25.94	5.15	46.92	25.15	5.63	44.62	24.27	6.13
	67	48.51	33.51	4.27	46.71	32.83	4.66	44.62	31.96	5.10	42.34	30.99	5.56	39.85	29.96	5.99
	62	44.11	39.53	4.21	42.11	38.57	4.58	39.96	37.47	4.95	37.75	36.31	5.36	35.25	35.25	5.78
	57	41.80	41.80	4.17	40.16	40.16	4.52	38.49	38.49	4.90	36.83	36.83	5.32	34.92	34.92	5.77
1600	72	53.16	28.05	4.44	51.62	27.58	4.83	49.80	27.01	5.26	47.65	26.30	5.73	45.30	25.45	6.23
	67	49.37	35.32	4.36	47.62	34.74	4.75	45.50	33.97	5.19	43.22	33.04	5.65	41.07	32.43	6.09
	62	45.15	42.21	4.30	43.15	41.12	4.71	40.91	39.86	5.07	38.62	38.62	5.47	36.50	36.50	5.91
	57	43.62	43.62	4.28	41.99	41.99	4.65	40.29	40.29	5.05	38.40	38.40	5.47	36.47	36.47	5.91
1800	72	53.66	28.86	4.53	52.15	28.47	4.92	50.31	27.97	5.36	48.15	27.34	5.82	45.77	26.55	6.32
	67	50.02	36.96	4.46	48.25	36.48	4.84	46.10	35.81	5.27	43.78	34.93	5.74	41.76	34.50	6.21
	62	45.93	44.48	4.39	43.77	43.77	4.79	41.74	41.74	5.19	40.11	40.11	5.62	37.92	37.92	6.08
	57	45.07	45.07	4.38	43.47	43.47	4.79	41.65	41.65	5.19	39.85	39.85	5.61	38.06	38.06	6.04
Multipliers for Determining the Performance With Other Indoor Sections																
Indoor Section	Size	Cooling		Indoor Section	Size	Cooling										
		Capacity	Power			Capacity	Power									
CC5A/CD5AA	060	1.00	1.00	CK5A/CK5BA	048	1.00	1.00									
CC5A/CD5AC	048	0.98	0.99		060	1.00	0.98									
CC5A/CD5AW	048	1.00	1.00	CK5A/CK5BT	048	1.00	1.00									
	060	1.01	0.99		060	1.00	0.98									
CD5AA	048	1.00	1.00	CK5A/CK5BW	048	1.00	1.00									
CE3AA	048	1.00	0.99	CK5A/CK5BX	060	1.01	0.98									
	060	1.01	0.99		PF1MNB	048	1.00	1.01								
CF5AA	048	1.00	0.99	060		1.01	1.02									
CK3BA	048	1.00	1.00	070		1.02	1.00									
	060	1.00	0.98	071		1.02	0.91									

See notes on page 15.

DETAILED COOLING CAPACITIES* Continued

EVAPORATOR AIR		CONDENSER ENTERING AIR TEMPERATURES °F														
		75			85			95			105			115		
CFM	EWB	Capacity MBtu/h†		Total System kW**	Capacity MBtu/h†		Total System kW**	Capacity MBtu/h†		Total System kW**	Capacity MBtu/h†		Total System kW**	Capacity MBtu/h†		Total System kW**
		Total	Sens‡		Total	Sens‡		Total	Sens‡		Total	Sens‡		Total	Sens‡	
PA10J(P)(E)A060-G Outdoor Section With CC5A/CD5AA060 Indoor Section																
1950	72	65.78	33.91	5.12	63.76	33.16	5.59	61.29	32.26	6.11	58.55	31.20	6.68	55.48	30.06	7.30
	67	60.83	41.73	5.02	58.56	40.81	5.49	56.01	39.73	6.00	53.08	38.47	6.52	50.44	37.61	7.01
	62	55.48	49.20	4.93	53.14	48.04	5.36	50.44	46.70	5.77	47.70	45.29	6.26	44.84	43.75	6.78
	57	52.32	52.32	4.84	50.52	50.52	5.26	48.89	48.89	5.76	46.35	46.35	6.19	44.33	44.33	6.69
2000	72	66.67	35.03	5.24	64.66	34.41	5.71	62.19	33.57	6.23	59.39	32.57	6.80	56.30	31.50	7.42
	67	61.97	43.97	5.14	59.61	43.12	5.60	57.00	42.08	6.11	54.07	40.90	6.67	50.98	39.65	7.23
	62	56.63	52.35	5.04	54.24	51.12	5.51	51.50	49.66	5.93	48.58	48.58	6.40	45.98	45.98	6.96
	57	54.52	54.52	5.01	52.66	52.66	5.44	50.94	50.94	5.94	48.24	48.24	6.38	46.15	46.15	6.89
2250	72	67.33	36.04	5.35	65.30	35.52	5.82	62.84	34.77	6.35	60.00	33.87	6.93	56.93	32.86	7.54
	67	62.76	46.05	5.25	60.41	45.31	5.71	57.75	44.36	6.22	54.80	43.27	6.78	51.66	41.98	7.37
	62	57.55	55.11	5.14	55.14	53.81	5.61	52.43	52.43	6.08	49.85	49.85	6.59	47.51	47.51	7.14
	57	56.36	56.36	5.13	54.42	54.42	5.60	52.22	52.22	6.07	49.95	49.95	6.58	47.72	47.72	7.09
Multipliers for Determining the Performance With Other Indoor Sections																
Indoor Section	Size	Cooling		Indoor Section	Size	Cooling										
		Capacity	Power			Capacity	Power									
CC5A/CD5AA	060	0.98	0.99	PF1MNA	060	1.01	1.04									
CC5A/CD5AW	060	1.00	1.00	PF1MNA	070	1.02	1.01									
CE3AA	060	1.00	0.99	PF1MNA	071	1.02	0.96									
CK3BA	060	0.98	0.99	PF1MNB	060	1.01	1.04									
CK5A/CK5BA	060	0.98	0.99	PF1MNB	070	1.02	1.01									
CK5A/CK5BT	060	0.98	0.99	PF1MNB	071	1.02	0.96									
CK5A/CK5BX	060	1.00	0.98			—	—									

* Detailed cooling capacities are based on indoor and outdoor unit at same elevation per ARI standard 210/240-94. If additional tubing length and/or indoor unit is located above outdoor unit, a slight variation in capacity may occur.

† Total and sensible capacities are net capacities. Blower motor heat has been subtracted.

‡ Sensible capacities shown are based on 80°F (27°C) entering air at the indoor coil. For sensible capacities at other than 80°F (27°C), deduct 835 Btu/h (245 kW) per 1000 CFM (480 L/S) of indoor coil air for each degree below 80°F (27°C), or add 835 Btu/h (245 kW) per 1000 CFM (480 L/S) of indoor coil air per degree above 80°F (27°C). When the required data falls between the published data, interpolation may be performed.

** Unit kW is total of indoor and outdoor unit kilowatts.

SYSTEM DESIGN

1. Intended for outdoor installation with free air inlet and outlet. Outdoor fan external static pressure available is less than 0.01-in. wc.
2. Minimum outdoor operating air temperature without low-ambient operation accessory is 55°F (12.8°C).
3. Maximum outdoor operating air temperature is 125°F (51.7°C).
4. For reliable operation, unit should be level in all horizontal planes.
5. Maximum elevation of indoor coil above or below base of outdoor unit is: indoor coil above = 50 ft, indoor coil below = 150 ft.
6. For interconnecting refrigerant tube lengths greater than 50 ft or 20 ft vertical differential, consult Long-Line Application Guideline available from equipment distributor.
7. Crankcase heater required when interconnecting refrigerant tube length exceeds 50 ft.
8. If any refrigerant tubing is buried, provide a minimum 6 in. vertical rise to the valve connections at the unit. Refrigerant tubing lengths up to 36 in. may be buried without further consideration. For buried lines longer than 3 ft, consult your local distributor.
9. Use only copper wire for electric connection at unit. Aluminum and clad aluminum are not acceptable for the type of connector provided.

SPECIFICATIONS SUBJECT TO CHANGE WITHOUT NOTICE

UNIT MUST BE INSTALLED IN ACCORDANCE
WITH INSTALLATION INSTRUCTIONS

Cancels: SS-PA10-09

