



installation instructions

ZONEKIT

ZONE PERFECT™ TWO-ZONE

Cancels: II ZONEKIT-0-6 II ZONEKIT-0-8
10-97

NOTE: Read the entire instruction manual before starting the installation.

This symbol → indicates a change since the last issue.

TABLE OF CONTENTS

	PAGE
Safety Considerations.....	1
Installation Considerations.....	1
Introduction.....	1
Installation.....	1-4
Sequence Of Operation.....	4-7
Thermostat Wiring.....	6-8
Care And Maintenance.....	8
Troubleshooting.....	9-11
Wiring Diagrams.....	12-16
Wiring Diagram Notes.....	16

SAFETY CONSIDERATIONS

Improper installation, adjustment, alteration, service, maintenance, or use can cause fire, electrical shock, or other conditions which may cause personal injury or property damage. Consult a qualified installer, service agency, or your distributor or branch for information or assistance. The qualified installer or agency must use factory-authorized kits or accessories when modifying this product. Refer to the individual instructions packaged with the kits or accessories when installing.

Follow all safety codes and wear safety glasses. Have fire extinguisher available. Read these instructions thoroughly and follow all warnings or cautions attached to the unit. Consult local and state building codes and Sheet Metal and Air Conditioning National Association (SMACNA) for special installation requirements.

Recognize safety information. This is the safety-alert symbol ⚠. When you see this symbol on the unit or in instructions and manuals, be alert to the potential for personal injury.

Understand the signal words DANGER, WARNING, or CAUTION. These words are used with the safety-alert symbol. DANGER identifies the most serious hazards which **will** result in severe personal injury or death. WARNING signifies hazards which **could** result in personal injury or death. CAUTION is used to identify unsafe practices which **would** result in minor personal injury or product and property damage.

INSTALLATION CONSIDERATIONS

1. Install in non-condensing area with ambients between 32°F and 150°F.
2. Use vibration isolators (flex connectors) on zone dampers and ductwork to minimize noise.
3. Place dampers away from areas that may be noise sensitive.
4. TXV is required in air conditioning and heat pump applications.
5. Use separate isolated transformer to supply power to Zone Perfect Two-Zone Center. (40va minimum, class 2, transformer, field supplied)

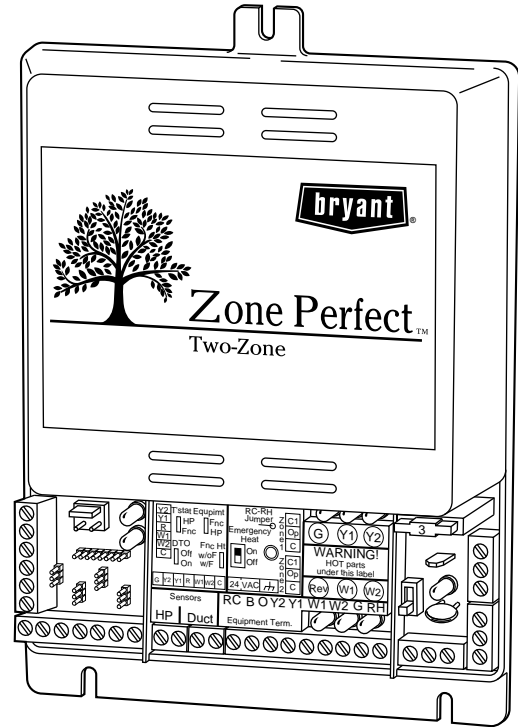


Fig. 1—Zone Perfect Two-Zone System (Shown Without Cover)

A97291

6. Load calculations must be performed to determine equipment size. Equipment selection is matched to block load. It is imperative equipment is not over sized.
7. Ductwork must be designed based off the sum of peak plus 25 percent oversize. It is imperative ductwork is not under sized.

INTRODUCTION

The Zone Perfect Two-Zone System allows the air conditioning and heating equipment to control temperatures in 2 distinct spaces or zones within a building. Each zone has independent temperature settings controlled by a thermostat.

NOTE: Thermostats are purchased separately.

The comfort temperature settings can change automatically through the use of schedules if programmable thermostats are selected. This allows Zone Perfect Two-Zone to change the temperature settings in zones to reflect occupancy or usage. The Zone Perfect Two-Zone System uses motorized air volume control dampers (also called zone dampers) to regulate the flow of conditioned air into the zones.

INSTALLATION

I. CHECK EQUIPMENT AND JOBSITE

A. Inspect Equipment

File claim with shipping company, prior to installation, if shipment is damaged or incomplete.

II. WIRING

WARNING: To prevent personal injury or possible equipment damage, disconnect the power supply before routing wire.

All wiring must comply with local, state, and national codes.

NOTE: Use No. 18 AWG color-coded, insulated (35°C min) wire. If thermostats are to be located more than 100 ft from the Zone Perfect Two-Zone Center as measured along the control voltage wires, use 16 AWG colored-coded wires to avoid excessive voltage drop. All wiring is run back to the Zone Perfect Two-Zone Center.

III. INSTALL ZONE PERFECT TWO-ZONE

NOTE: Zone Perfect Two-Zone is approved for indoor use only and should never be installed with any of its components exposed to the elements. Do not mount Zone Perfect Two-Zone Center where it will be accessible to children. Do not locate the center in areas of the home that are noise sensitive since relays are energized and de-energized during operation and may be an annoyance. Install Zone Perfect Two-Zone in an area with a temperature range between 32°F and 150°F.

Install Zone Perfect Two-Zone center in a vertical position. Locate in an area that is easily accessible in case servicing should be required.

CAUTION: To prevent possible damage to the Zone Perfect Two-Zone Center, do not mount on plenum, ductwork, or flush against furnace.

IV. INSTALL ZONE DAMPERS

IMPORTANT: If conditions exist for possible condensing, the motor must be positioned for adequate draining. (See Fig. 2.)

NOTE: If a multi-damper enabler is used to link dampers together, then add 5va per damper to the transformer power supply rating. Reference multi-damper enabler Installation Instructions. Zone dampers may be installed in any direction.

Install dampers so the actuator is visible for inspection and accessible in the event it would ever need service. The black mark on the end of the damper shaft represents the position of the damper blade.

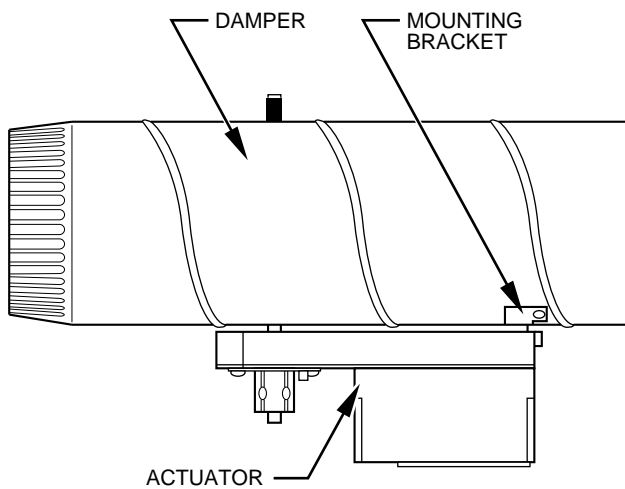


Fig. 2—Damper Motor Positioning

A95128

NOTE: Insulate damper using 1-1/2 in. insulation (check local codes). In areas where excessive condensing may occur, carefully insulate over the actuator assembly. Make sure insulation does not interfere with operation of actuator.

Before insulating the ductwork, check for proper damper operation. Apply 24vac between COM and OPN to open the damper and COM and CLS to close the damper. (See Fig. 3.) The damper will modulate counter-clockwise to open and clockwise to close.

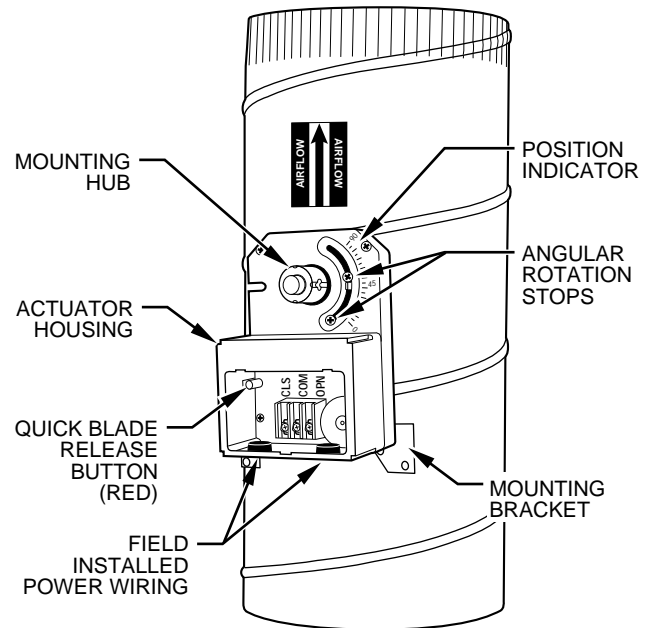


Fig. 3—Damper 24-vac Connections

A95096

If in an emergency it becomes necessary to force a damper open manually, press in red quick blade release button with 1 hand and turn mounting hub to reposition the damper shaft. Release button to hold damper shaft in the new position.

To avoid noise and vibration, do not hard mount dampers to any solid structure such as joists.

A. Round Metal Ductwork

IMPORTANT: If application exists with all metal ductwork without insulation, flex connectors should be used on each end of the zone dampers to avoid noise and vibration.

1. Crimp end of branch duct.
2. Slip end of flex connector over zone damper and use self-tapping sheet metal screw to secure. (See Fig. 4.)

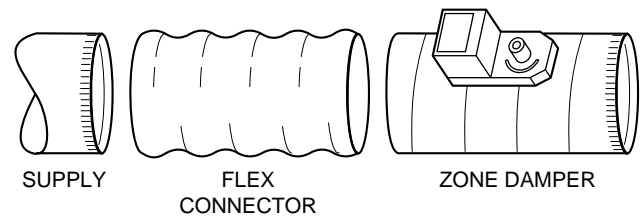


Fig. 4—Round Metal Ductwork

A95129

3. Properly seal joint using duct tape, mastic, or other approved method. Do not allow mastic to come in contact with actuator.
4. Insulate damper using 1-1/2-in. to 2-in. insulation. (Check your local codes.) (See Fig. 5.)

NOTE: All zone dampers and ductwork must be properly supported according to local codes or SMACNA standards.

B. Rectangular Metal Ductwork

1. Make connections using S-lock and drives. (See Fig. 6.)
2. Properly seal joint using duct tape, mastic, or other approved method. Do not allow mastic to come in contact with actuator.

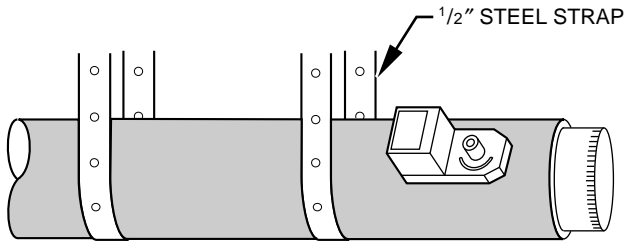


Fig. 5—Insulated Round Metal Ductwork A95130

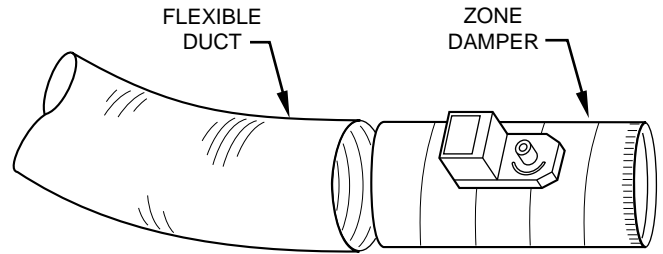


Fig. 8—Round Flexible Ductwork A95132

NOTE: All zone dampers and ductwork must be properly supported according to local codes or SMACNA standards.

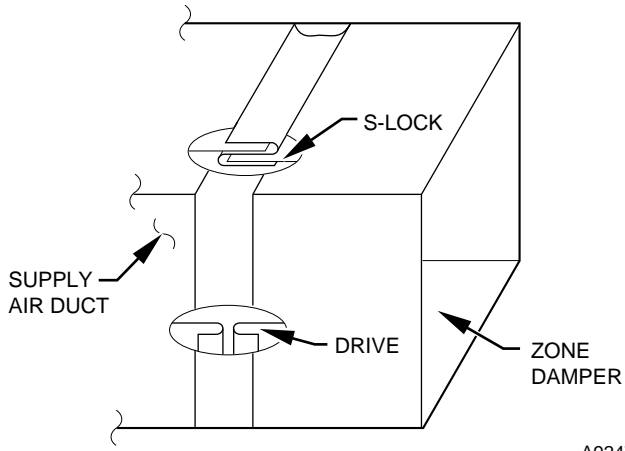


Fig. 6—Rectangular Metal Ductwork A92478

3. Insulate damper using 1-1/2-in. to 2-in. insulation. (Check your local codes.) (See Fig. 7.)

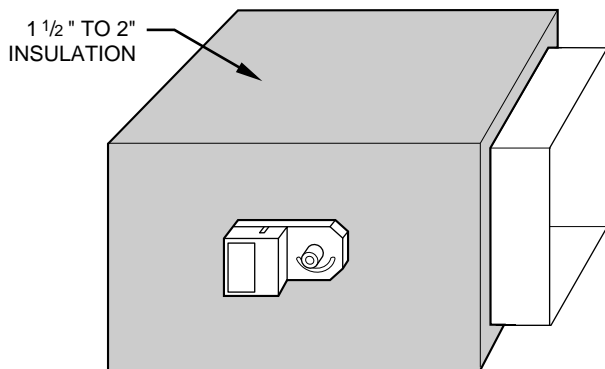


Fig. 7—Insulated Rectangular Metal Ductwork A95131

NOTE: All zone dampers and ductwork must be properly supported according to local codes or SMACNA standards.

NOTE: There should be a minimum of 4 ft between the zone damper and the first branch duct if more than 1 branch duct is downstream of the zone damper.

C. Round Flexible Ductwork

1. Slip 1 end of flexible ductwork over 1 end of zone damper. (See Fig. 8.)
2. Secure the flexible duct to zone damper using SMACNA or other approved method.
3. Properly seal joint using duct tape, mastic, or other approved method. Do not allow mastic to come in contact with actuator.
4. Insulate damper using 1-1/2-in. to 2-in. insulation. (Check your local codes.) (See Fig. 9.)

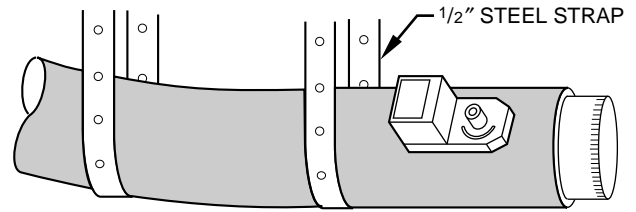


Fig. 9—Insulated Round Flexible Ductwork A95133

D. Rectangular Fibrous Glass Ductwork

1. Insert 1 end of zone damper into 1 end of fibrous glass ductwork approximately 2 to 3 in. (See Fig. 10.)

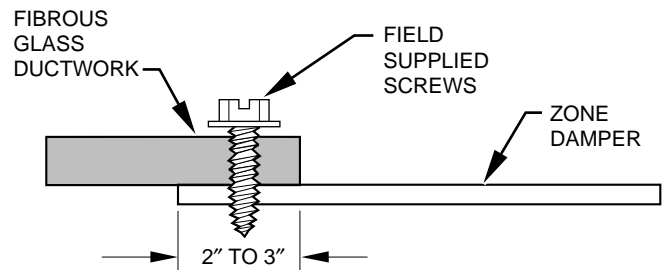


Fig. 10—Rectangular Fibrous Glass Ductwork A92480

2. Screw field-supplied screws and tabs into zone damper.
3. Properly seal joint using duct tape, mastic, or other approved method. Do not allow mastic to come in contact with actuators
4. Insulate damper using 1-1/2-in. to 2-in. insulation. (Check your local codes.) (See Fig. 11.)

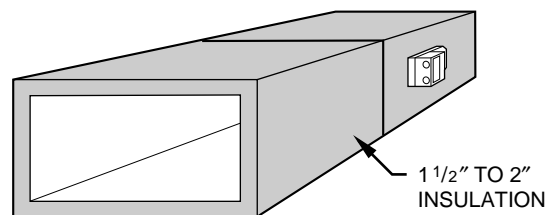


Fig. 11—Insulated Rectangular Fibrous Glass Ductwork A95134

V. INSTALL BAROMETRIC BYPASS DAMPER

NOTE: The barometric bypass damper is a critical part of the Zone Perfect Two-Zone System for control of minimum airflow and noise reduction. It is recommended that the bypass be installed.

The bypass should be installed according to local codes and SMACNA standards. Be sure the bypass is properly supported.

For proper installation, refer to the Installation Instructions packaged with the barometric bypass.

CAUTION: Failure to properly install the bypass damper can cause permanent damage to the HVAC equipment. For single-speed furnace applications, the bypass air must never exceed 25 percent.

VI. INSTALL LEAVING AIR TEMPERATURE DUCT SENSOR

Locate duct temperature sensor in main supply trunk after heating and cooling coil and before the bypass damper and before the first branch. The duct sensor must be radiant shielded to prevent heat from affecting the correct air temperature.

1. Drill 1/4-in. hole at location in supply trunk where sensor will be installed.
2. Insert sensor in hole and use as template to mark 2 mounting holes.
3. Drill two 1/16-in. holes to accept No. 6 screws through pre-drilled holes in duct temperature sensor back plate.
4. Use 2 No. 6 sheet metal screws to mount duct temperature sensor to unit.
5. Connect sensor to 2-conductor wire using provided wire nuts. (See Fig. 12 for connection to equipment controller.)

VII. INSTALL HEAT PUMP (HP) TEMPERATURE SENSOR

The HP temperature sensor is required in all heat pump/fan coil installations. It is not used in dual fuel (heat pump/furnace installation.) It measures the indoor coil temperature. The sensor is to be installed downstream of the indoor coil, but before the electric heaters. It can be installed through the wall of the fan coil or may be located entirely inside the fan coil near the blower inlet. Anchor firmly in place with cable ties so that it cannot interfere with the blower wheel. To activate the HP temperature sensor, remove factory supplied resistor from HP terminal block and replace with sensor leads. When activated, the HP temperature sensor has built in LAT set points of 50°F and 45°F in the cooling mode, and 105°F and 110°F in the heating mode. This is non-adjustable. (See Fig. 12 for connection to Zone Perfect Two-Zone center.)

SEQUENCE OF OPERATION

I. SEQUENCE OF EVENTS FOR A NORMAL HEATING OR COOLING CYCLE

The thermostats will determine if active heating or cooling is required. If so, the Zone Perfect Two-Zone system will perform the following:

- Make sure all zone dampers are fully open.
- Energize HVAC equipment fan.
- Energize heating or cooling equipment. The equipment may be a compressor, furnace, strip heater, etc.
- Set zone damper to the open or closed position based upon

individual zone demand.

- Energize additional stages of heating or cooling if the thermostat demand warrants.
- Turn off heating or cooling equipment when all zones are satisfied.
- Open all zone dampers when equipment is turned off (after 90 sec delay).

This is the basic sequence of operation for the Zone Perfect Two-Zone System. The actual control of the dampers, HVAC equipment, and system fan will change with the configuration of the system. Depending upon the configuration, Zone Perfect Two-Zone can control heat pumps, furnaces, and dual fuel applications, (dual fuel will require a third party relay interface).

II. SELECTION OF A SYSTEM MODE

The first step in any heating or cooling cycle requires Zone Perfect Two-Zone to receive an input from any thermostat located in a zone. Zone Perfect Two-Zone will then prepare to operate the heating or cooling equipment as requested by the thermostat. (See Fig. 12.)

III. PRE-POSITIONING DAMPERS AND STARTING SYSTEM FAN

In order to minimize noise and enhance system operation, Zone Perfect Two-Zone maintains fully open zone dampers prior to starting the system fan or the heating/cooling equipment. The intent is to provide the HVAC equipment with unrestricted ductwork and to reduce pressure surges. Zone Perfect Two-Zone also fully opens the dampers whenever a heating or cooling cycle is completed (this is done after a 90 sec delay). All zone dampers will remain fully open until the next heating or cooling cycle.

The other reason for opening the dampers is to provide unrestricted ductwork to other equipment which is not directly controlled by Zone Perfect Two-Zone. One example may be a Heat Recovery Ventilator. If Zone Perfect Two-Zone is not actively controlling the HVAC system, then it must not impose any control influences (such as closed zone dampers) on the system and prevent proper operation of other devices.

Only the zone 1 thermostat controls continuous fan operation. When the zone 1 thermostat has the fan selector switch in the AUTO position, the fan will operate only when the heating and cooling equipment is operating. When the zone 1 thermostat has the fan selector switch in the ON position, the fan will operate continuously. Zone 2 will not control this.

IV. HVAC EQUIPMENT CONNECTIONS

The Zone Perfect Two-Zone relay outputs are shown in Table 1. The Y1 and Y2 contacts are used for the compressor contactor only. Zone Perfect Two-Zone operates the heat pump by energizing the compressor contactor and controlling the reversing valve through the O relay output. The W1 and W2 contacts are always used for heat sources. These are heating only units such as furnaces, strip heaters, etc. The relay outputs for Zone Perfect Two-Zone are shown in Table 1.

In automatic changeover, the zoning system works on a first come first serve basis. If 1 zone is calling for heating and the other for cooling, the zone which sent its demand to the I/O center will operate the equipment in that mode until that zone is satisfied.

TABLE 1—AVAILABLE HEATING AND COOLING STAGES VERSUS SYSTEM TYPE

TYPE OF HVAC EQUIPMENT USED	COOLING STAGE 1	COOLING STAGE 2	REVERSING VALVE O	HEAT STAGE 1	HEAT STAGE 2	REVERSING VALVE O
Single-Stage Heat Pump	Y1	—	Energized	Y1/W1	W2	De-energized
2-Stage Heat Pump	Y1	Y2	Energized	Y1/W1	W2	De-energized
Cooling Only, any Heater Type	Y1	Y2	—	W1	W2	—


V. DUCT TEMPERATURE OPTIMIZER (DTO) FOR MONITORING LEAVING AIR TEMPERATURE

As Zone Perfect Two-Zone System operates through a heating or cooling cycle, the zone demands will change. This changes the actual load that is applied to the HVAC equipment. If the zone airflow decreases, the cooling equipment will tend to lower supply-air temperatures which could tend to exceed the LAT trip limits. Conversely, the heating equipment will tend to raise supply-air temperatures which could exceed high trip limits. In cooling, when the LAT reaches the non-adjustable low temperature trip limit (50°F) the LAT algorithm begins operating, closed dampers are initially opened 3 positions, then 1 position every 20 sec there after until full open. Zone Perfect Two-Zone will not shut down second-stage cooling (if used); however, if temperature continues to drop to 45°F, the zoning system will turn off both stages of cooling. If the temperature improves, the system will stay in the duct temperature optimizer mode until the LAT reaches 55°F or higher. At 55°F the LAT algorithm will reset and return dampers to their original position. In the heating mode, Zone Perfect Two-Zone will perform the same duct temperature optimization. The trip limits will be determined by the jumper setting. (See Fig. 12.) This will continue until the LAT problem is corrected.

This control helps Zone Perfect Two-Zone System cope with installations where the air conditioning system may suffer from poor ductwork, improperly sized heating or cooling equipment, and/or improper settings of the barometric bypass damper. This control is especially useful in retrofit applications where the size and routing of the ductwork may not be entirely known or satisfactory.

The duct temperature optimizer works by controlling how cold or hot the air inside the supply-air duct gets by monitoring the temperature of the air inside the supply-air system.

Whenever Zone Perfect Two-Zone is providing heating or cooling, the zone within the home that is asking for conditioned air will always have its damper fully open. The other zone in the system may or may not have an open damper depending upon its particular needs. If the ductwork is too small (or the air conditioner/heater is too large), then the zone requiring conditioned air may not be able to take enough air to allow your equipment to operate properly. Zone Perfect Two-Zone will detect this, and open up the closed damper allowing the equipment to continue to operate.

	<p>CAUTION: The duct temperature optimizer may be disabled on the control center. A 10k resistor can be installed in place of the duct sensor at the terminal block. By disabling the duct temperature optimizer, the LAT safety algorithm is removed from the system.</p>
---	---

It is highly recommended that you use this control option. The heating LAT is adjustable for the duct sensor. In this Installation Instruction, you will find the section showing an adjustment for the heating LAT. (See Fig. 12.) It is very important that this temperature is properly set. For gas or oil furnaces, the temperature limit will be in the higher temperature range. For heat pumps the temperature setting should always be in the lower temperature range.

If you encounter a situation where 1 zone seems to have poor ductwork, then the Zone Perfect Two-Zone system is capable of reverting back to a fully open, constant-volume system. If this condition persists, it should always be looked upon as an indication of a HVAC problem, not a Zone Perfect Two-Zone problem.

VI. ELECTRONIC THERMOSTAT CONNECTION WITH ZONE PERFECT TWO-ZONE CONTROL

Bryant electronic non-programmable and programmable thermostats can be connected to the Zone Perfect Two-Zone. See pre-sale literature for thermostat part numbers.

NOTE: The zone control board is only capable of 2-stage heat and 2-stage cool operation. Fig. 13 and 14 will reflect these applications only. Review and understand the following items before installing.

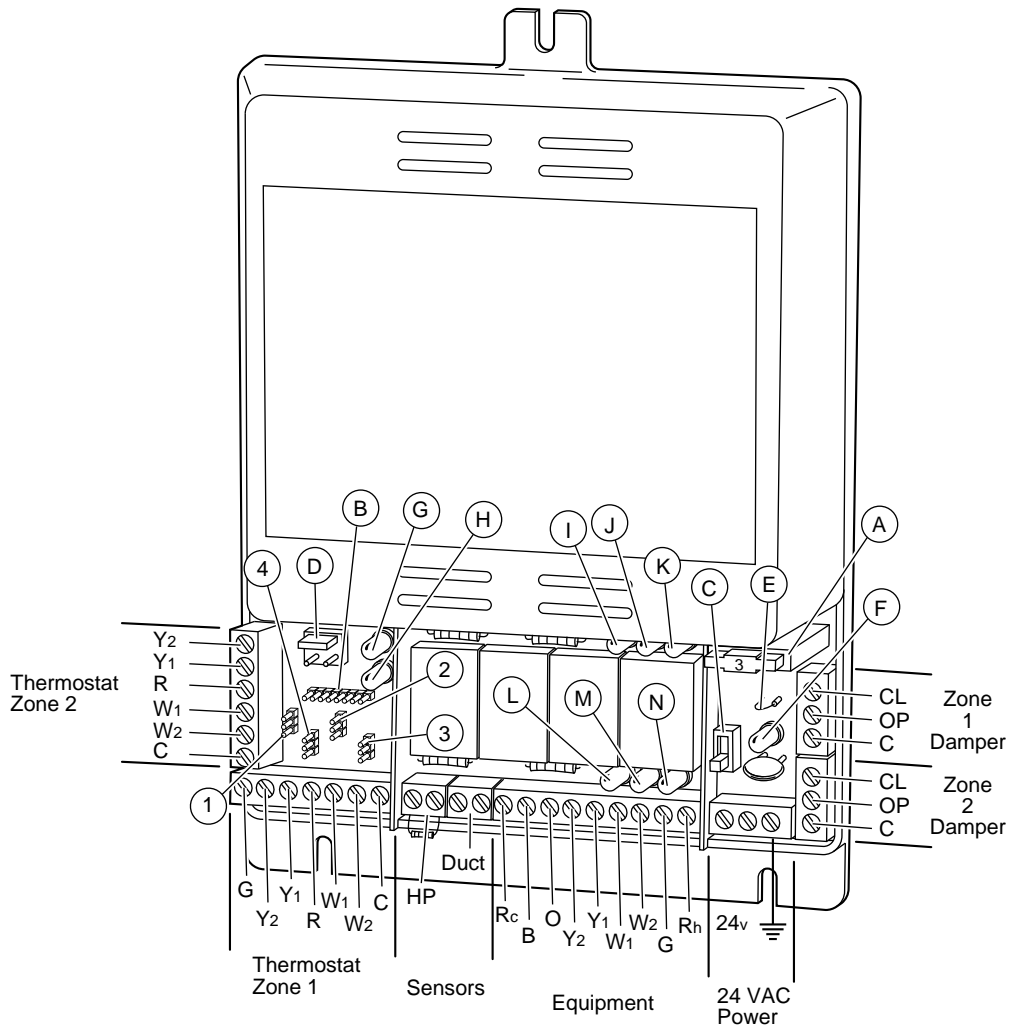
A. Thermostat Setup

1. Thermostat will not operate unless both R and C are connected to zone module input.
2. If selected thermostat is a heat pump (HP) or 2-speed (2S) model, convert thermostat to air conditioning operation. This will assure that Y signals are generated for cooling, and W signals are generated for heating from thermostat to zone module input. The thermostat O/W2 output will now be the second-stage heat call. If installation is a heat pump system, the zone control board will provide proper output signal to heat pump.
3. Select "Zoning" option on thermostat. This will disable the Timeguard and 4-cycle per hr (cph) protection built into thermostat. Let zone control board perform the Timeguard and cycle protection. Refer to thermostat Installation Instruction under Zoning for more detail.
4. The zone 1 thermostat is the only thermostat that can control continuous fan operation with zoning. Connect G between zone 1 thermostat and zone 1 input on zone control module.
5. Follow all safety and installation considerations outlined in the thermostat Installation Instructions.

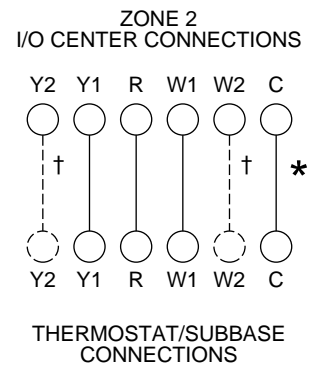
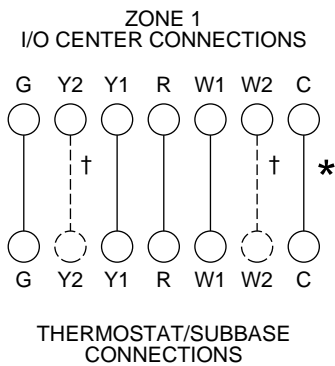
B. Zone Control Board Setup

1. Configure zone control board jumper for Tstat (thermostat) Fnc option only. Do not use Tstat HP option. When Tstat Fnc is selected this will setup control inputs to recognize Y1 and Y2 for first- and second-stage cooling, and W1 and W2 for first- and second-stage heating.
2. Configure zone control board for either Equipmt (equipment), HP, or Fnc. When a heat pump system is used, Equipmt HP mode should be selected. The zone control board will provide the proper output signal to the heat pump. When a gas/electric furnace is used, Equipmt Fnc mode should be selected for proper output signal.
3. Configure zone control board for either Fnc Ht, w/f (with fan), or w/of (without fan). With Fan mode should be selected when a heat pump is installed and fan is needed to come on immediately with demand. Without Fan mode should be selected when fan is controlled by gas/electric furnace.
4. Configure zone control board for either DTO On or Off. When DTO On is selected (Factory default) and if a LAT trip occurs, closed dampers will begin opening to try and keep equipment running by maintaining proper air temperatures. However, if LAT temperatures exceed their limits, equipment will start staging down. When DTO Off is selected, equipment will stage down. Closed dampers will not open on initial trip, however if LAT temperatures exceed their limits, control will lock out and damper will open.

NOTE: An HP temperature sensor must be used with a heat pump application using electric strip heat. This is necessary in case the DTO is set to the Off position.



A97293



★ ONLY HOOKUP "C" WHEN SUPPLIED BY THERMOSTAT

★ ONLY HOOKUP "C" WHEN SUPPLIED BY THERMOSTAT

† HOOKUP WHEN USING APPLICABLE TWO-STAGE THERMOSTATS WITH TWO-STAGE EQUIPMENT

† HOOKUP WHEN USING APPLICABLE TWO-STAGE THERMOSTATS WITH TWO-STAGE EQUIPMENT

A93494

A93495

Fig. 12—Zone Perfect Two-Zone Circuit Board with Standard Thermostat Wiring

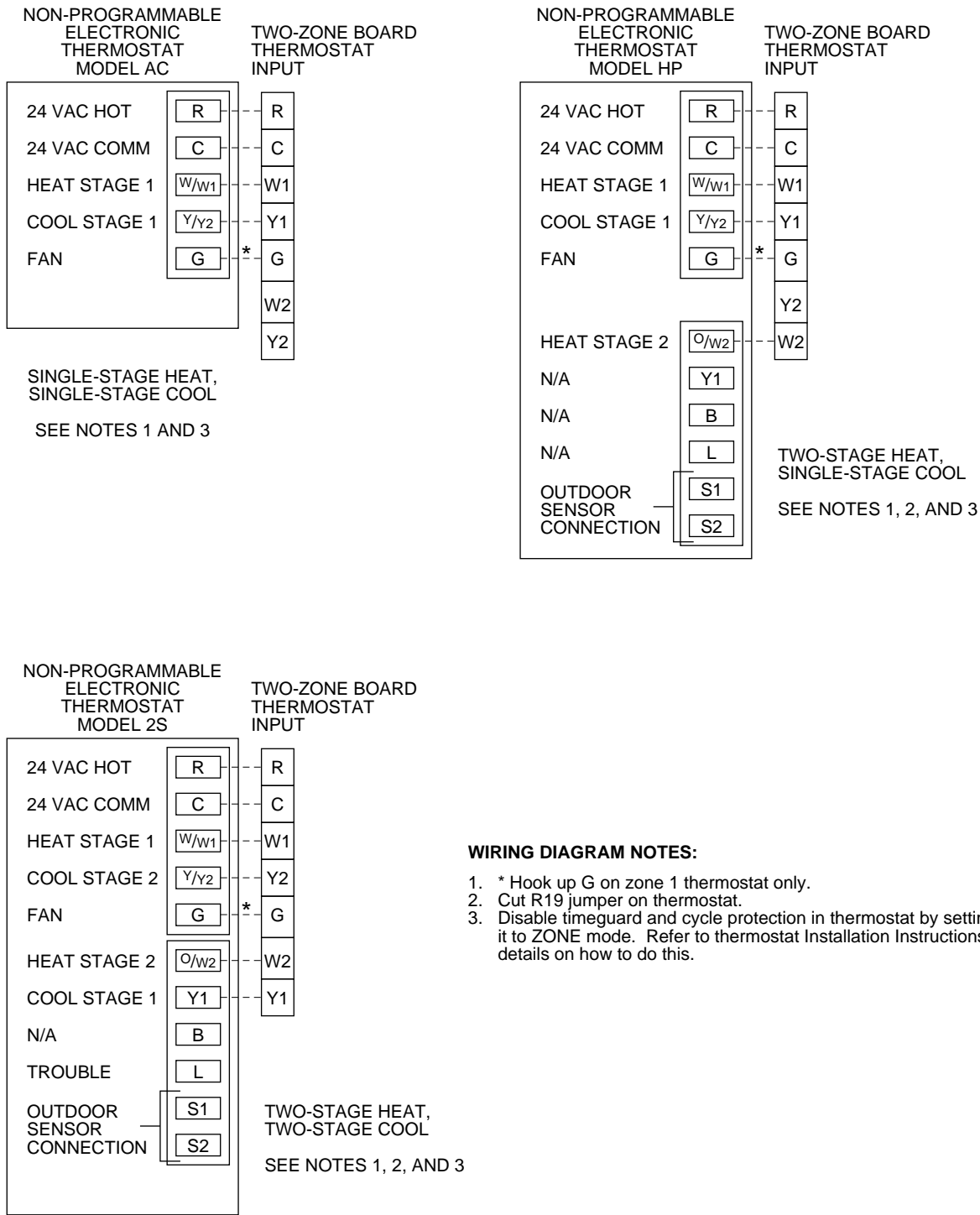


Fig. 13—Electronic Non-Programmable Thermostat Wiring Diagrams

A97294

TIMEGUARD

The Zone Perfect Two-Zone provides equipment protection with an internal 5-minute timeguard delay. This delay is present upon initial power up. There is also a 5-minute timeguard delay for all cooling (Y1) and heat pump modes. The time guard can be cleared by using the comprotec override feature. Second-stage (Y2) and (W2) will have a 5-minute delay between stages and also can be cleared using the comprotec override feature.

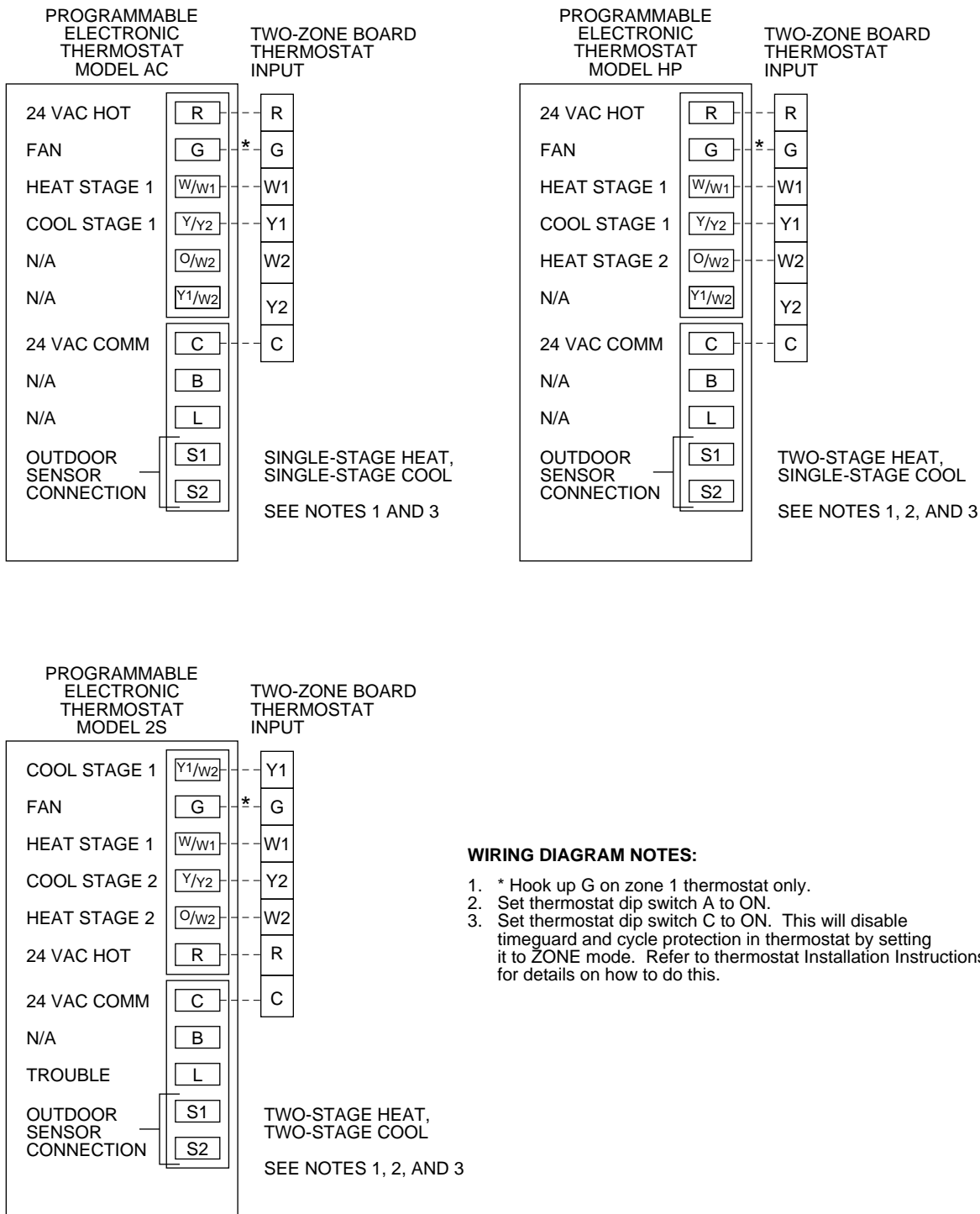


Fig. 14—Electronic Programmable Thermostat Wiring Diagrams

A97295

MAXIMUM CYCLE RATE

The Zone Perfect Two-Zone will allow a maximum of 4 equipment cycles per hr or 1 every 15 minutes when a heating or cooling mode is activated. When a demand exists, and internal timer will start counting down 15, 14, 13...0 minutes. Once the timer expires the control will allow a new mode to restart the equipment. The internal time, as well as the cooling 5-minute timeguard can be cleared by using the comprotect override feature.

CARE AND MAINTENANCE

For continuing optimum performance and to minimize possible equipment failure, it is essential that periodic maintenance be performed on this equipment. Consult your servicing contractor for the proper frequency of maintenance. Frequency may vary depending upon geographic areas.

TROUBLESHOOTING

This section contains information to assist you in troubleshooting problems and errors associated with the Zone Perfect Two-Zone system. See Table 2.

I. SYSTEM DIAGRAM, JUMPERS, AND SWITCHES

NOTE: For correct control board operation, it must have either a sensor attached or a 10k resistor in place at the duct and HP inputs.

1
Tstat
Fnc—Gas/electric thermostat is installed in each zone.
Must be in this position to function properly.



HP—DO NOT USE.

2
Equipmt
Fnc—Air conditioning equipment installed is a cooling only unit.



HP—Air conditioning equipment installed is a heat pump.

3
Fnc Ht
W/O FAN—When demand for heating exists, fan is controlled by gas/electric furnace.



W/FAN—When demand for heating exists, fan comes on immediately (heat pump only).

4
DTO
DTO Off—When supply-air temperatures approach a trip limit, HVAC equipment will turn off. Dampers do not open until equipment is locked out by control.



DTO On—When supply-air temperatures approach a trip limit, closed dampers open to maintain proper air temperatures.

A
Damper Fuse—Protects damper from electrical damage (3 Amp).

B
High Heating Temperature Trip Limit Setting — When DTO is On, temperature is sensed by duct temperature sensor. When the duct temperature reaches this temperature setting, the duct temperature optimizer is enabled. If the LAT is exceeded then heating will turn off.

NOTE: HP temperature sensor is recommended for all heat pump applications.

NORMAL HEAT PUMP SETTING	NORMAL GAS/ELECTRICAL SETTING	EQUIPMENT SHUTOFF TEMPERATURE
155°F	155°F	175°F
147°F	147°F	164°F
138°F	138°F	153°F
130°F	130°F	143°F
122°F	122°F	132°F
113°F	113°F	121°F
105°F	105°F	110°F

C
Emergency Heat Switch—This switch should remain in the OFF position for both furnace and heat pump operation. It should be switched to the ON position only upon heat pump compressor failure to provide emergency heat.



ON



OFF

D
Comprotec Override—Momentarily short pins together for temporary equipment time delay override.



E
J6 jumper—Connects Rc and Rh internally.

F
Emergency heat LED—Will turn on when emergency heat is on.

G
Red LED—Used for diagnostic errors.

H
Green LED—Flashes once every second for normal operation, alternates with red LED for diagnostic errors.

- I** Red LED—Displays ON when fan is energized.
- J** Red LED—Displays ON when first-stage cooling is energized.
- K** Red LED—Displays ON when second-stage cooling is energized.
- L** Red LED—Displays ON when reversing valve is energized.

- M** Red LED—Displays ON when first-stage heat is energized.
- N** Red LED—Displays ON when second-stage heat is energized.
- O** J2 (Not Shown)—Cut for 50 hz operation. Located under plastic housing approximately 1 in. above comprotect override.

TABLE 2—TROUBLESHOOTING

LED CODES	ERROR DESCRIPTION	ACTION REQUIRED
Green flashes 1 time every sec and no other LEDs are flashing.	Normal operation.	None.
Green flashes 1 time and Red flashes 1 time	Duct temperature sensor. First-stage heat limit exceeded; heat will be locked out.	Wait until duct temperature cools below exceeded temperature trip. (Heat leaving air temperature trip limits set at LAT limits POT on central control circuit board; range is 110° to 175°F.)
Green flashes 1 time and Red flashes 2 times	Duct temperature sensor. Second-stage heat limit exceeded.	Wait until duct temperature cools below exceeded temperature trip. Range is 105° to 155°F.
Green flashes 1 time and Red flashes 3 times	Duct temperature sensor. First-stage cool limit exceeded; cool will be locked out.	Wait until duct temperature raises above exceeded temperature trip (45°F).
Green flashes 1 time and Red flashes 4 times	Duct temperature sensor. Second-stage cool limit exceeded.	Wait until duct temperature raises above exceeded temperature trip (50°F).
Green flashes 1 time and Red flashes 5 times	HP temperature sensor. First-stage heat limit exceeded; heat will be locked out.	Wait until HP temperature cools below exceeded temperature trip. Fixed at 110°F.
Green flashes 2 times and Red flashes 1 time	HP temperature sensor error. Second-stage heat limit exceeded.	Wait until HP temperature cools below exceeded temperature trip. Fixed at 105°F.
Green flashes 2 times and Red flashes 2 times	HP temperature sensor. First-stage cool limit exceeded; cool will be locked out.	Wait until duct temperature raises above exceeded temperature trip (45°F).
Green flashes 2 times and Red flashes 3 times	HP temperature sensor. Second-stage cool limit exceeded.	Wait until duct temperature raises above exceeded temperature trip (50°F).
Green flashes 2 times and Red flashes 4 times	1. Duct temperature sensor. 2. Temperature sensor is shorted.	1. Verify that duct temperature sensor or 10k ohm resistor is attached to control center at duct temperature connectors. 2. Replace duct temperature sensor.
Green flashes 2 times and Red flashes 5 times	1. Duct temperature sensor. 2. Temperature sensor is open.	1. Verify that duct temperature sensor or 10k ohm resistor is attached to control center at duct temperature connectors. 2. Replace duct temperature sensor.
Green flashes 3 times and Red flashes 1 time	1. HP temperature sensor. 2. Temperature sensor is shorted.	1. Verify that HP temperature sensor or 10k ohm resistor is attached to control center at HP temperature connectors. 2. Replace HP temperature sensor.
Green flashes 3 times and Red flashes 2 times	1. HP temperature sensor. 2. Temperature sensor is open.	1. Verify that HP temperature sensor or 10k ohm resistor is attached to control center at HP temperature connectors. 2. Replace HP temperature sensor.
Green flashes 3 times and Red flashes 3 times	Damper fuse blown.	1. Check for short circuits on damper wire connections at the dampers and control center. 2. Replace damper fuse. 3. Check damper operation, may need to be replaced.
Green flashes 3 times and Red flashes 4 times	Fatal control center circuit board failure.	Replace control center.

Table 3 shows a temperature/ohm/voltage relationship to help aid in troubleshooting the Zone Perfect Two-Zone System. This table will evaluate both the Duct/HP temperature sensor operation. Use a digital multimeter to perform the following:

To verify a sensor is good, disconnect both leads from the I/O board and measure the resistance through the sensor. Match ohm reading to table and compare temperature reading on table to ambient temperature surrounding sensor (Accuracy should be ± 5-10 percent). Example: if 10.92k ohms are measured, this equals approximately 73°F.

To verify if I/O board is normal, reattach sensor to I/O board, set meter to 5vdc, and measure voltage across terminal connections. Match voltage reading to temperature reading in chart. The ambient temperature surrounding sensor should be ± 5-10 percent. Example: 2.61vdc is approximately 73°F.

TABLE 3—TEMPERATURE/OHM/VOLTAGE RELATIONSHIP

TEMP °F	OHMS	VOLTS	TEMP °F	OHMS	VOLTS	TEMP °F	OHMS	VOLTS	TEMP °F	OHMS	VOLTS
30	34,367	3.873	73	10,921	2.610	117	4042	1.439	160	1693	0.724
32	32,654	3.828	75	10,449	2.555	118	3889	1.400	162	1637	0.703
34	31,030	3.781	77	10,000	2.500	120	3743	1.362	163	1582	0.683
36	29,498	3.734	79	9571	2.445	122	3603	1.324	165	1530	0.663
37	28,052	3.686	81	9164	2.391	124	3469	1.288	167	1480	0.645
39	26,686	3.637	82	8776	2.337	126	3340	1.252	169	1431	0.626
41	25,396	3.587	84	8407	2.284	127	3217	1.217	171	1385	0.608
43	24,171	3.537	86	8056	2.231	129	3099	1.183	172	1340	0.591
45	23,013	3.485	88	7720	2.178	131	2986	1.150	174	1297	0.574
46	21,918	3.433	90	7401	2.127	133	2878	1.117	176	1255	0.558
48	20,883	3.381	91	7096	2.075	135	2774	1.086	178	1215	0.542
50	19,903	3.328	93	6806	2.025	136	2675	1.055	180	1177	0.527
52	18,972	3.274	95	6530	1.975	138	2579	1.025	181	1140	0.512
54	18,090	3.220	97	6266	1.926	140	2488	0.996	183	1104	0.497
55	17,255	3.165	99	6014	1.878	142	2400	0.968	185	1010	0.483
57	16,464	3.111	100	5774	1.830	144	2315	0.940	187	1037	0.470
59	15,714	3.056	102	5546	1.784	145	2235	0.913	189	1005	0.457
61	15,000	3.000	104	5327	1.738	147	2157	0.887	190	974	0.444
63	14,323	2.944	106	5117	1.692	149	2083	0.862	—	—	—
64	13,681	2.889	108	4918	1.648	151	2011	0.837	—	—	—
66	13,071	2.833	109	4727	1.605	153	1943	0.813	—	—	—
68	12,493	2.777	111	4544	1.562	154	1876	0.790	—	—	—
70	11,942	2.721	113	4370	1.521	156	1813	0.767	—	—	—
72	11,418	2.666	115	4203	1.480	158	1752	0.745	—	—	—

WIRING DIAGRAMS

→ **TABLE 4—WIRING DIAGRAM REFERENCE**

EQUIPMENT SELECTION	SINGLE-SPEED AIR CONDITIONER	TWO-SPEED AIR CONDITIONER	SINGLE-SPEED HEAT PUMP	TWO-SPEED HEAT PUMP
Single-Stage Furnace	Fig. 15	Fig. 19	Fig. 23	Fig. 27
Two-Stage Furnace	Fig. 16	Fig. 20	Fig. 24	Fig. 28
Typical Fan Coil	Fig. 17	Fig. 21	Fig. 25	Fig. 29
FK4C Fan Coil	Fig. 18	Fig. 22	Fig. 26	Fig. 30

TWO-ZONE SYSTEM

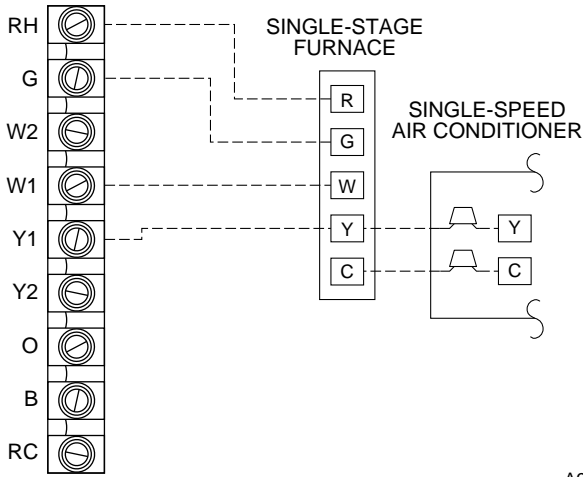


Fig. 15—Single-Stage Furnace With Single-Speed Air Conditioner

A97296

TWO-ZONE SYSTEM

2-STAGE OR VARIABLE-SPEED FURNACE

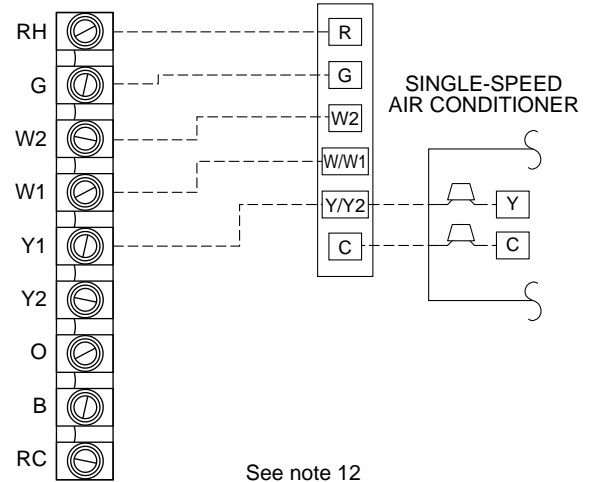


Fig. 16—Two-Stage or Variable-Speed Furnace With Single-Speed Air Conditioner

See note 12

A97613

TWO-ZONE SYSTEM

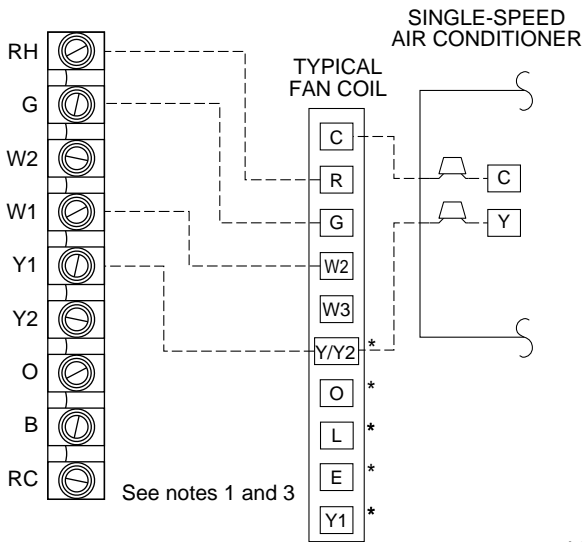


Fig. 17—Typical Fan Coil With Single-Speed Air Conditioner

A97298

TWO-ZONE SYSTEM

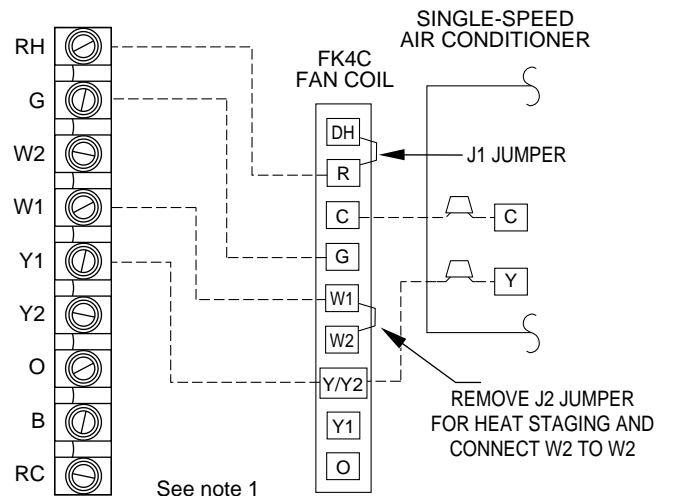


Fig. 18—FK4C Fan Coil With Single-Speed Air Conditioner

See note 1

REMOVE J2 JUMPER FOR HEAT STAGING AND CONNECT W2 TO W2

A97299

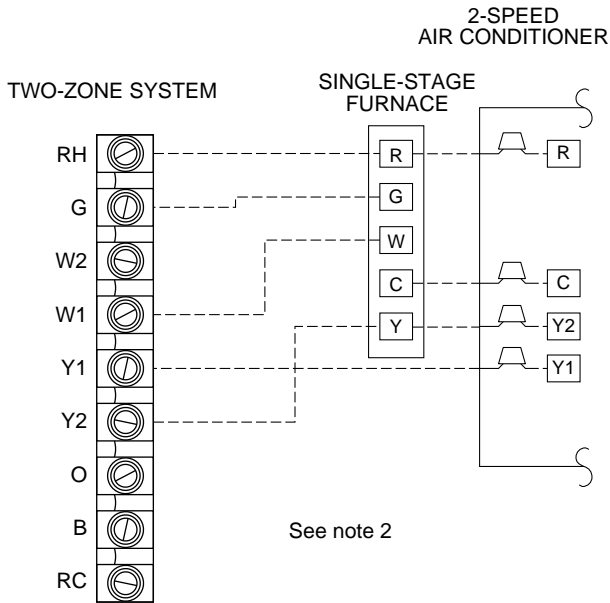


Fig. 19—Single-Stage Furnace With 2-Speed Air Conditioner

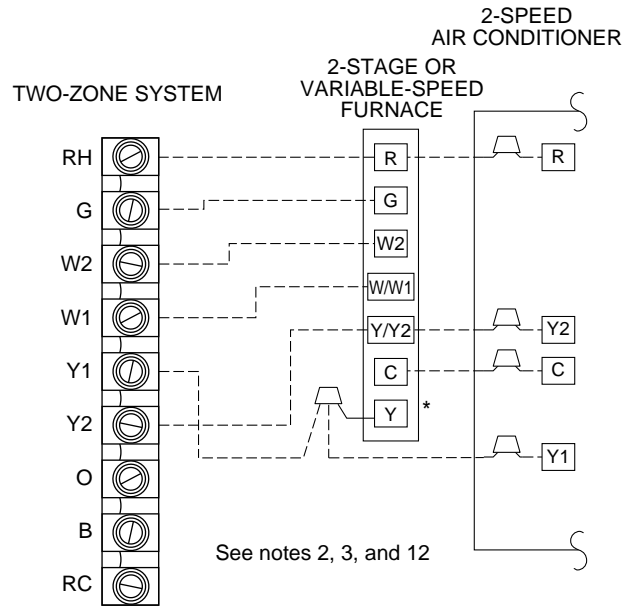


Fig. 20—Two-Stage or Variable-Speed Furnace With 2-Speed Air Conditioner

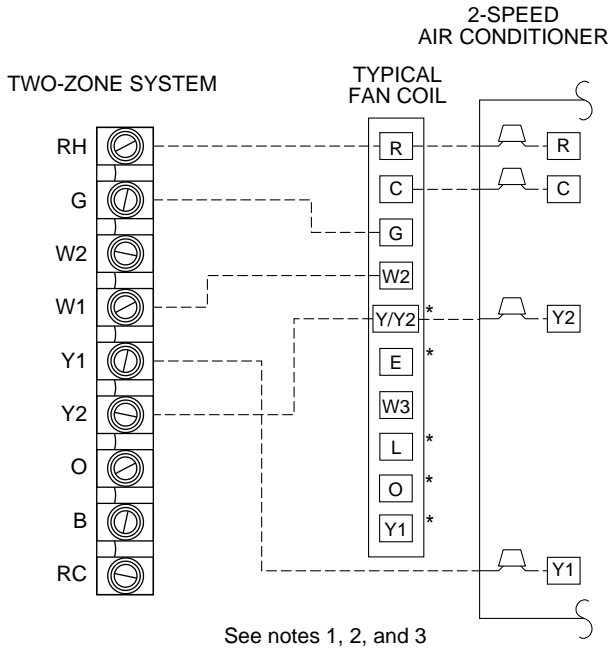


Fig. 21—Typical Fan Coil With 2-Speed Air Conditioner

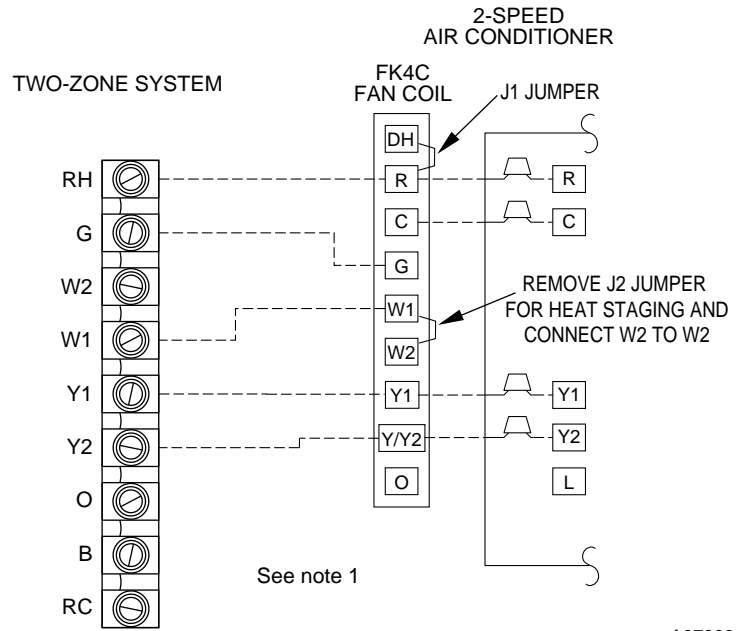
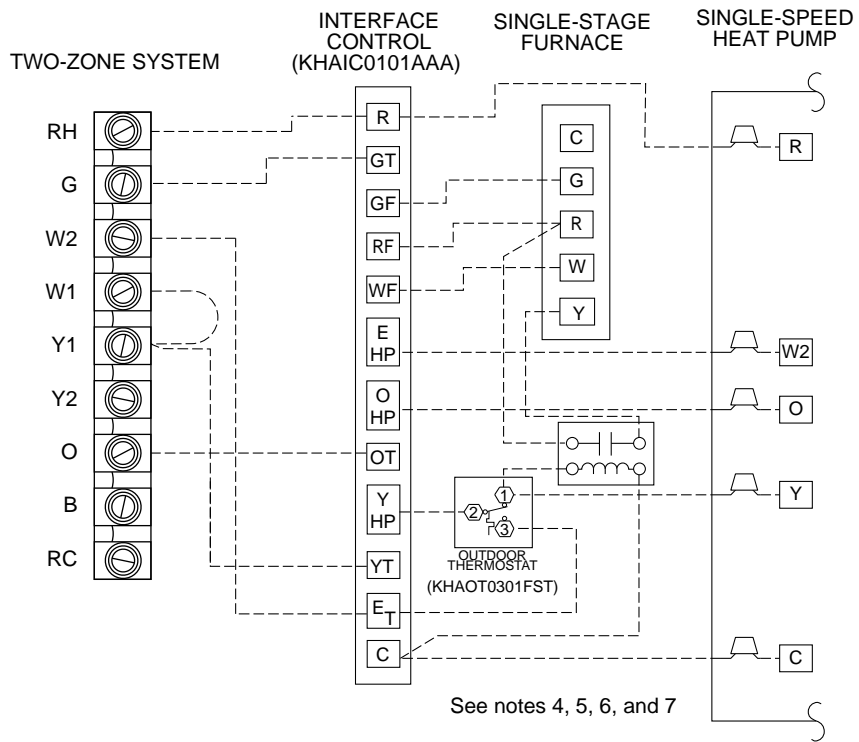
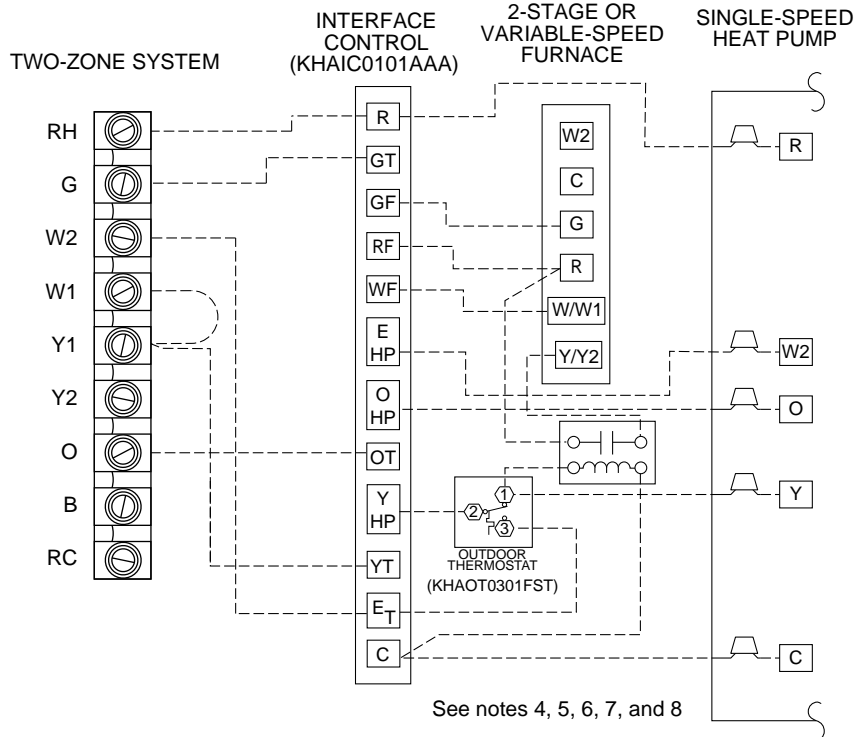


Fig. 22—FK4C Fan Coil With 2-Speed Air Conditioner



A97615

→ Fig. 23—Single-Stage Furnace With Single-Speed Heat Pump



A97616

→ Fig. 24—Two-Stage or Variable-Speed Furnace With Single-Speed Heat Pump

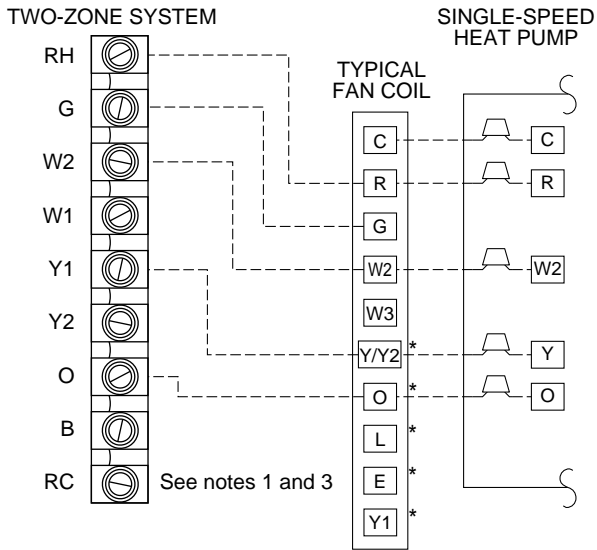


Fig. 25—Typical Fan Coil With Single-Speed Heat Pump

A97306

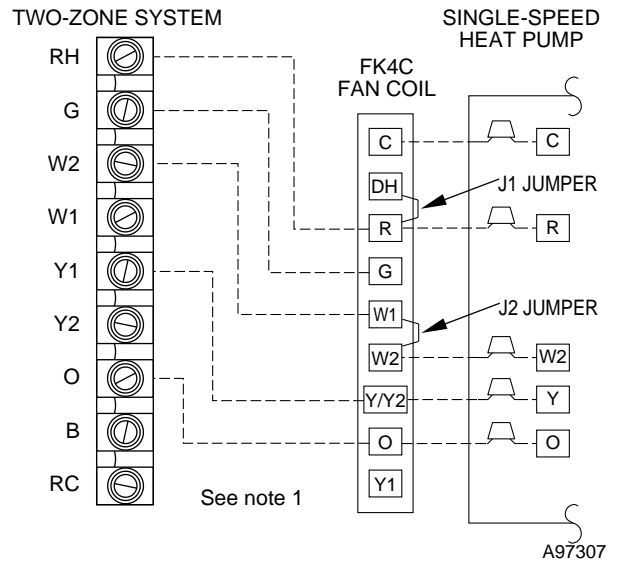
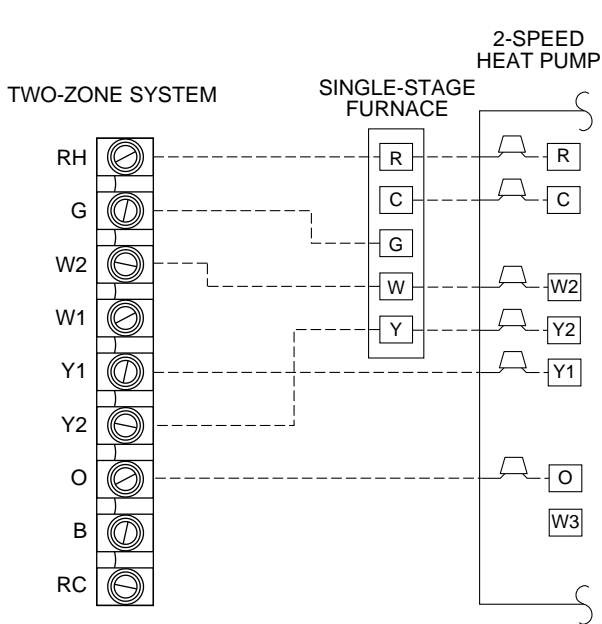


Fig. 26—FK4C Fan Coil With Single-Speed Heat Pump

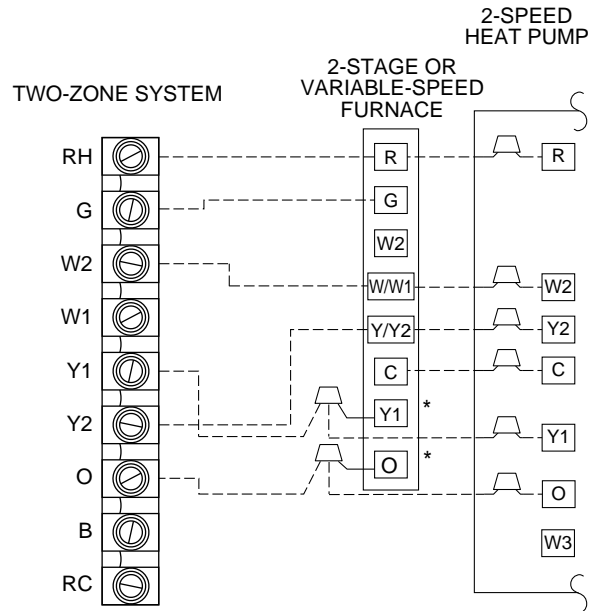
A97307



See notes 2, 5, 6, 7, 9, 10, and 11

Fig. 27—Single-Stage Furnace With 2-Speed Heat Pump

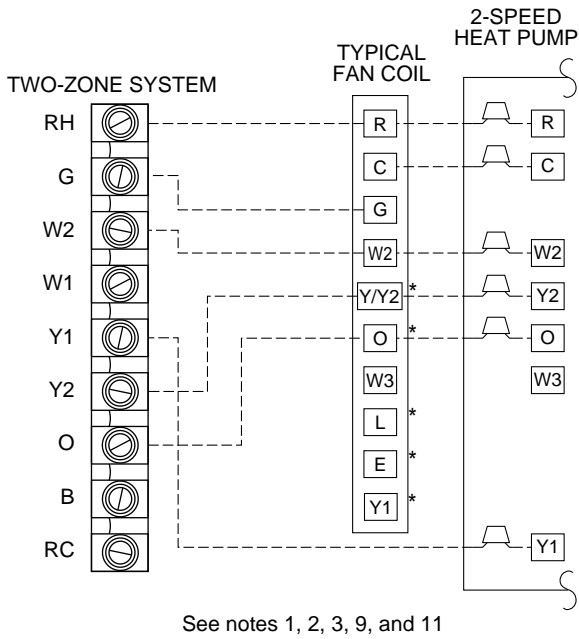
A97308



See notes 2, 3, 5, 6, 7, 8, 9, 10, and 11

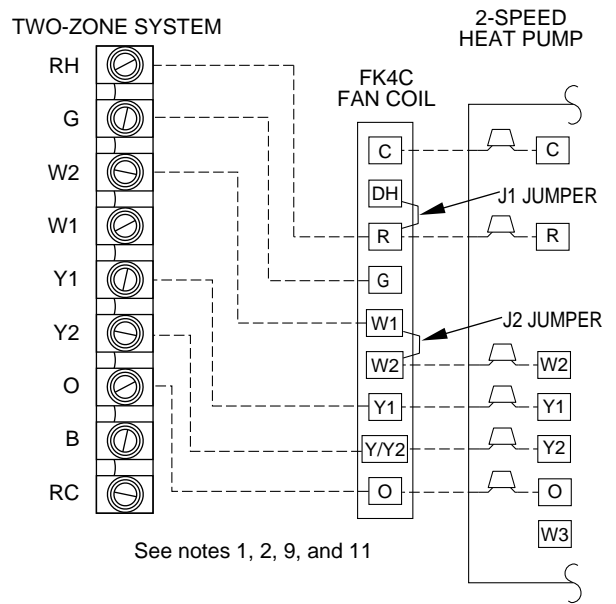
Fig. 28—Two-Stage or Variable-Speed Furnace With 2-Speed Heat Pump

A97309



A97310

Fig. 29—Typical Fan Coil With 2-Speed Heat Pump



A97311

Fig. 30—FK4C Fan Coil With 2-Speed Heat Pump

→ **WIRING DIAGRAM NOTES**

1. Refer to fan coil Installation Instructions for proper wiring.
2. Refer to outdoor unit Installation Instructions for latent kit requirements.
3. Terminals marked with * may not be present on equipment.
4. Use a field-supplied isolation relay, pilot duty, 24-v coil.
5. Heat pump **MUST** have a high-pressure switch for dual-fuel applications.
6. Two-Zone Control does not know that dual fuel is applied. Do not use thermostat AUTO CHANGEOVER mode with dual-fuel applications, keep both thermostats in same mode (heating or cooling).
7. Configure Two-Zone Control board (jumpers) for:
 - (J1) T-stat = Fnc
 - (J3) Equipmt = HP
 - (J4) Fnc Ht = w/fan
 - (J5) LAT = Set LAT jumper high enough to allow furnace to come on during defrost and second-stage operation.
 - (J7) DTO = On
8. Furnace must control its own second-stage heat operation, via the furnace control algorithm.
9. Refer to outdoor equipment Installation Instructions for proper set up.
10. Select Furnace Interface option, Balance Point, and Defrost Time on 2-speed heat pump control board.
11. **DO NOT** select "ZONE" position on 2-speed heat pump control board. In heating mode, heat pump outdoor temperature sensor will control the compressor low- and high-speed change.
12. As an option, lock furnace into low-fire operation and let W2 control high-fire operation. Refer to indoor unit Installation Instructions for proper setup.