



UNITED TECHNOLOGIES  
CARRIER  
TRANSCOLD

Carrier Transcold Division  
Carrier Corporation  
P.O. Box 4805  
Syracuse, New York 13221

THIS DOCUMENT IS THE PROPERTY OF CARRIER CORPORATION AND IS DELIVERED UPON THE EXPRESS CONDITION THAT THE CONTENTS WILL NOT BE DISCLOSED OR USED WITHOUT CARRIER CORPORATION'S WRITTEN CONSENT.

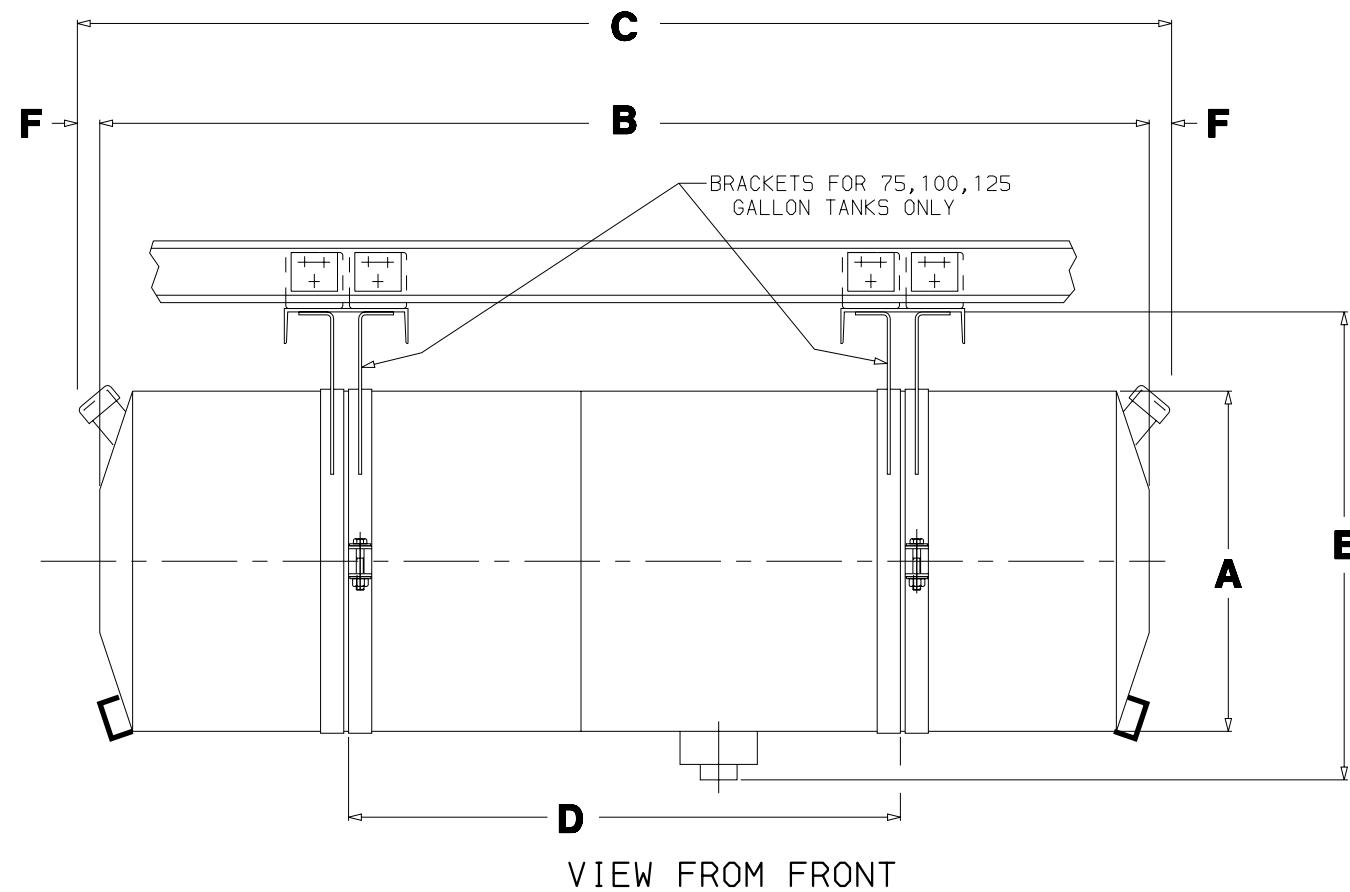
SUBMISSION OF THESE DRAWINGS OR DOCUMENTS DOES NOT CONSTITUTE PART PERFORMANCE OR ACCEPTANCE OF CONTRACT

CTD FUEL TANK INSTALLATION KIT PART NUMBER W/O ELECTRIC FUEL PUMP	CTD FUEL TANK INSTALLATION KIT PART NUMBER W/ ELECTRIC FUEL PUMP	CTD FUEL TANK ASSY. WITH STRAPS PART NUMBER	U.S. GAL. (NOMINAL)	A NOM. DIA (INCHES)	B (INCHES)	C (INCHES)	D (INCHES)	E (INCHES)	F (INCHES)	G (INCHES)	H (INCHES)	DRAIN LOCATION	FILL TYPE	DRY WEIGHT INSTALLED (LBS.)	TANK MATERIAL
98-02236-01	----	79-01467-00	50	18.00	50.00	54.19	27.00	26.42	1.84	23.38	20.00	BOTTOM	SINGLE	122	STEEL
98-02236-02	----	79-00916-07	30	18.00	-	-	-	-	-	-	-	BOTTOM	SINGLE	-	ALUMINUM

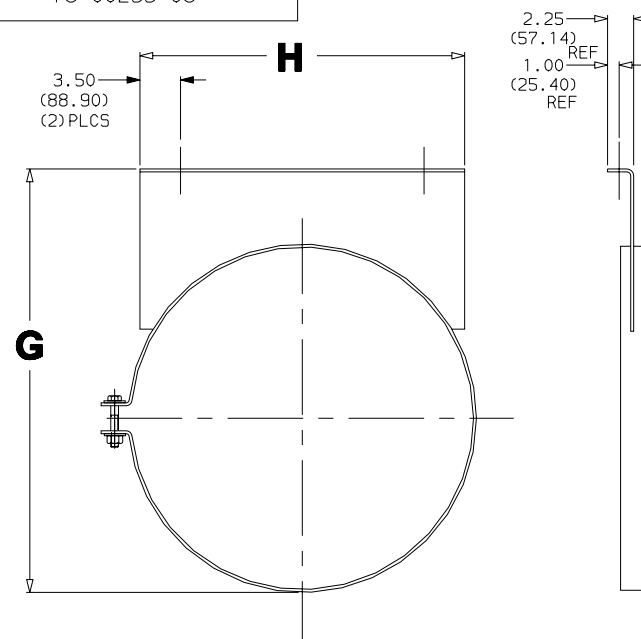
NOTES:

- CARRIER TRANSCOLD PROVIDES CIRCLED ITEM NUMBERS AS PART OF THE INSTALLATION KIT FURNISHED WITH EACH FUEL TANK ASSY.
- CONSULT CARRIER TRANSCOLD SERVICE ENGINEERING FOR PROPER INSTALLATION OF OPTIONAL FEATURES NOT DETERMINED AS CARRIER SUPPLIED.
- DIMENSIONS SHOWN ARE IN INCHES WITH EQUIVALENT MILLIMETERS IN CLOSED BRACKETS ( ).
- THE TRAILER STRUCTURE MUST BE EVALUATED BY THE TRAILER MANUFACTURER TO DETERMINE ITS ABILITY TO WITHSTAND THE IMPOSED LOADS OVER ITS SERVICE LIFE. THESE GUIDELINES DO NOT CONVEY ENDORSEMENT OR WARRANTY BY CARRIER TRANSCOLD FOR THE STRUCTURAL INTEGRITY OF THE TRAILER. FUEL TANKS INSTALLED IN ACCORDANCE WITH THESE GUIDELINES WILL PROVIDE ADEQUATE SUPPORT IN NORMAL SERVICE ENVIRONMENTS INCLUDING PIGGYBACK APPLICATIONS.
  - FUEL TANK SUPPORT STRAPS MUST ATTACH TO THREE STEEL CROSS MEMBERS FOR 30 TO 120 GALLON TANK CAPACITIES.
  - FUEL TANK SUPPORT STRAPS WILL INTERFACE WITH THREE CROSS MEMBERS IF THEY ARE ON 12-INCH CENTERS. CROSS MEMBERS ON 15-INCH CENTERS WILL REQUIRE A STRUCTURAL STEEL CHANNEL TO SPAN THEM. THIS CHANNEL IS NOT SUPPLIED BY CARRIER TRANSCOLD.
  - FOR FUEL TANKS MOUNTED WITH FOUR SUPPORT STRAPS (75 GALLONS AND UP), IT IS RECOMMENDED THAT EACH PAIR OF TWO STRAPS (FOUR TOTAL) SUPPLIED BE LOCATED TOGETHER AS SHOWN FOR MORE UNIFORM LOADING OF THE STRAPS.
- RECOMMENDED TORQUE VALUES FOR FURNISHED LOCK NUTS ARE AS FOLLOWS:
 

BOLT/THREAD	TORQUE (FT-LB)
1/4-20	9
3/8-24	30
1/2-13	60-EXCEPT AS NOTED
- EACH INSTALLATION KIT CONTAINS SUFFICIENT CLAMPS AND GROMMETS FOR FUEL LINE ROUTING AND SECUREMENT. THE INSTALLER MAY ROUTE FUEL LINES THRU CONDUIT, 3/4 INCH (75) MINIMUM, AS AN ALTERNATE TO USING GROMMETS. (CONDUIT NOT FURNISHED AS PART OF INSTALLATION KIT).
- EACH INSTALLATION KIT CONTAINS SUFFICIENT CLAMPS AND HARDWARE FOR SECURING THE FUEL PUMP CABLE. ROUTING OF THE CABLE MAY BE ACCOMPLISHED BY EITHER OF THE FOLLOWING METHODS:
  - WITH THE 1/4 INCH O.D. FUEL LINE THRU GROMMETS PROVIDED.
  - THRU FREE SPACE IN SUCH A MANNER AS TO PREVENT PHYSICAL DAMAGE. (NOTE: ADDITIONAL CLAMPS MAY BE REQUIRED WITH THIS METHOD OF ROUTING.)
  - THRU CONDUIT (NOT FURNISHED AS PART OF INSTALLATION KIT).
- USE PIPE SEALANT ON ALL PIPE CONNECTIONS (NOT FURNISHED AS PART OF INSTALLATION KIT).
- INSTALL UNIONS (ITEM 26 & 27) IN FUEL TANK USING PIPE SEALANT ON PIPE THREADS. WHEN INSTALLING FLEXIBLE TUBES INTO THE TANK PASS THE TUBES THROUGH THE FITTINGS AND PUSH TUBES TO THE BOTTOM OF TANK. WHEN THE TUBES REACH THE BOTTOM OF THE TANK, PULL THEM BACK UP APPROXIMATELY 1.00 INCH, THEN TIGHTEN THE COMPRESSION NUTS.



FOR SEPARATE ELECTRIC FUEL PUMP FIELD KIT ORDER NO.  
76-00295-06



DECIMAL INCHES	FRACTIONAL INCHES
.38	3/8
.41	13/32
.44	7/16
.53	17/32
.63	5/8
1.25	1-1/4
1.50	1-1/2
1.56	1-9/16
1.62	1-5/8
1.75	1-3/4
1.84	1-27/32
1.88	1-7/8
2.25	2-1/4
3.06	3-1/16
3.62	3-5/8
3.69	3-11/16
3.75	3-3/4

DECIMAL INCHES	FRACTIONAL INCHES
3.88	3-7/8
22.69	22-11/16
24.19	24-3/16
27.44	27-7/16
27.62	27-5/8
27.91	27-29/32
30.56	30-9/16
35.62	35-5/8
37.12	37-1/8
51.75	51-3/4
53.25	53-1/4
67.88	67-7/8
69.38	69-3/8
70.88	70-7/8
80.81	80-13/16
82.31	82-5/16
83.81	83-13/16

SHEET INDEX	REV SHEET	D	D	A	-	-
1	2	3	4	5		

SYM	REVISION RECORD	ENGRG.	DATE	APPLICATION ENGRG.	DATE	DRAWN BY	DATE
D	UPDATED SHEET INDEX; CTD FUEL TANK INSTL. KIT NO.'S 98-02236-01 WAS 76-00295-07 & -02 WAS -21; SEE SHEET 2. PCA7290706					DHL	09/28/99
C	UPDATED SHT INDEX. ADDED KIT 76-00295-21. PER IPCA7282306					MED	12/15/98

SUPERSEDES	NEW	TITLE	INSTALLATION INSTRUCTIONS, SPECIAL FUEL TANKS 30, 50, 75, 100 & 120 GALLONS	DRAWING NO.	98-02236	REV	D
				SHT.	1 OF 5		

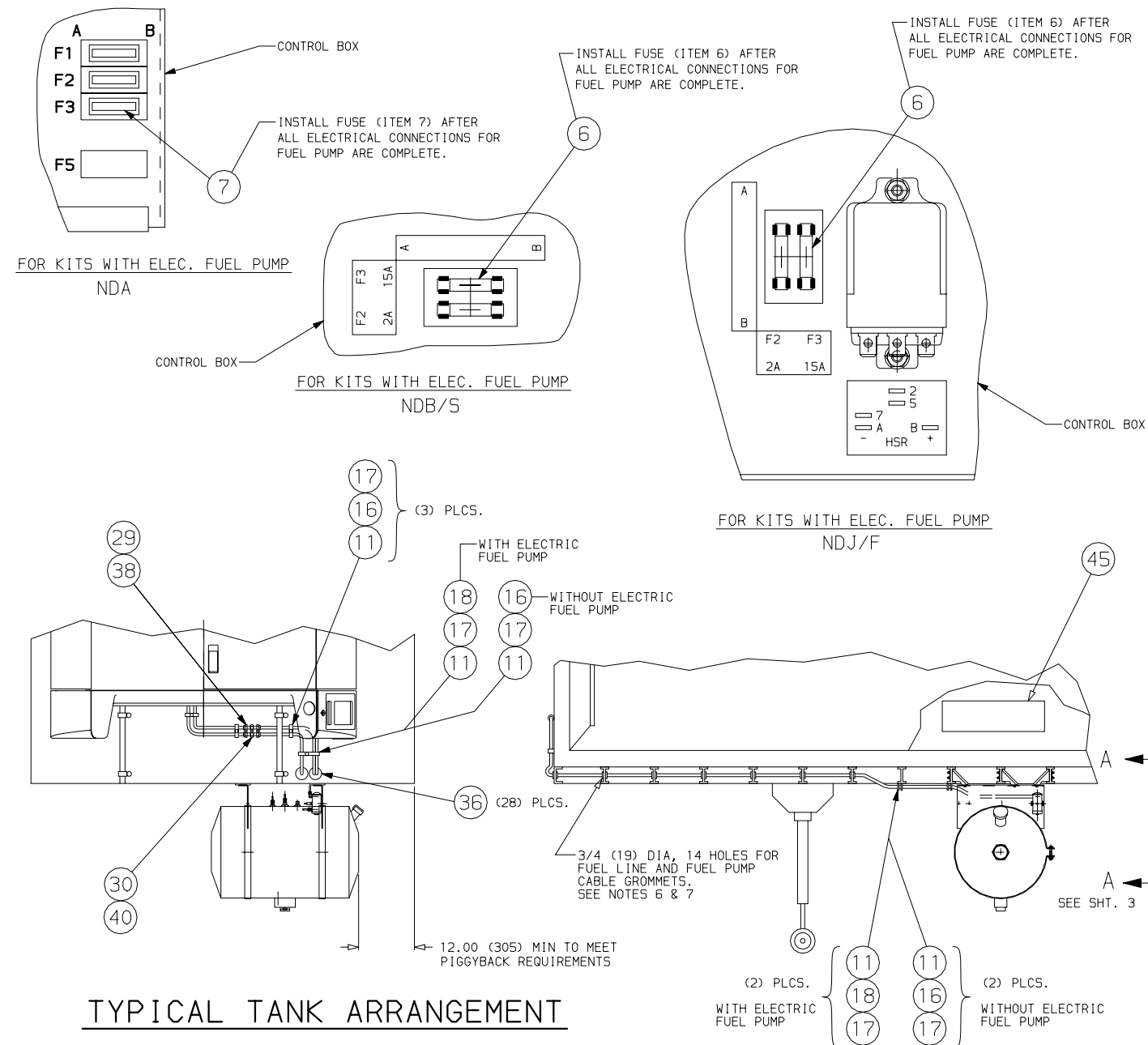


UNITED  
TECHNOLOGIES  
CARRIER  
TRANSCOLD

Carrier Transicold Division  
Carrier Corporation  
P.O. Box 4805  
Syracuse, New York 13221

THIS DOCUMENT IS THE PROPERTY OF CARRIER CORPORATION  
AND IS DELIVERED UPON THE EXPRESS CONDITION THAT THE  
CONTENTS WILL NOT BE DISCLOSED OR USED WITHOUT CARRIER  
CORPORATION'S WRITTEN CONSENT.

SUBMISSION OF THESE DRAWINGS OR DOCUMENTS  
DOES NOT CONSTITUTE PART PERFORMANCE OR  
ACCEPTANCE OF CONTRACT



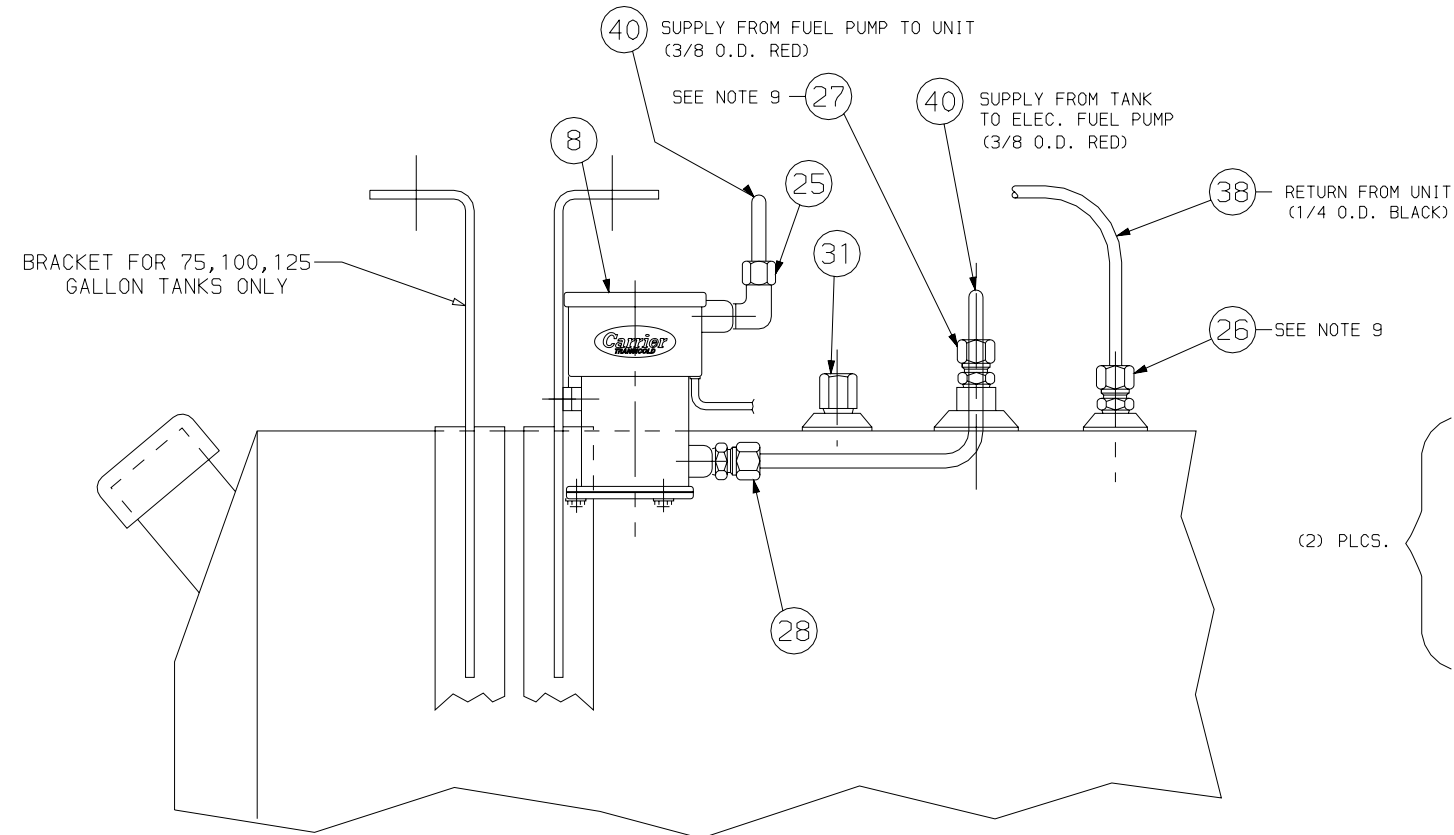
D	REMOVED BILL OF MATERIAL.	PCA729070G				DHL	09/28/99
C	ADDED KIT 76-00295-21.	PER IPCA728230G	MR/RP			MED	12/15/98
B	IT.11 P/N: 34-01276-08 WAS 34-00349-12 PER PCA7172186.		JP/RP			ZMG	10/08/97
-	INITIAL RELEASE PER PCA723040G		-			BJM	11/03/93
SYM	REVISION RECORD		ENGRG.	DATE	APPLICATION ENGRG.	DATE	DRAWN BY

SUPERSEDES  
NEW

TITLE  
INSTALLATION INSTRUCTIONS, SPECIAL FUEL TANKS  
30, 50, 75, 100 & 120 GALLON

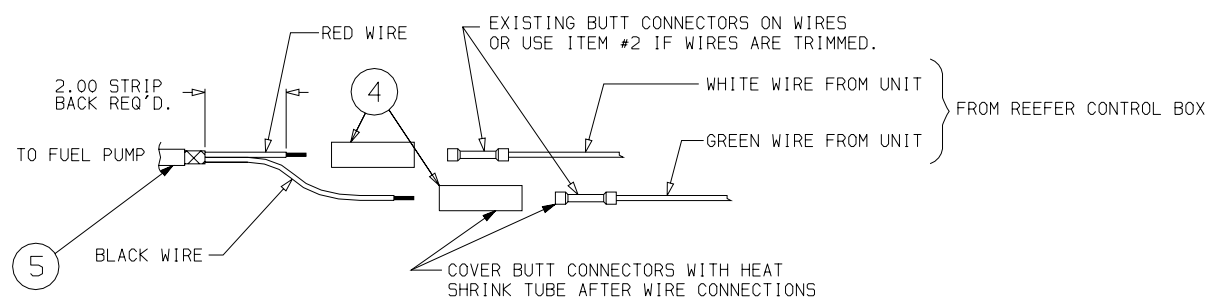
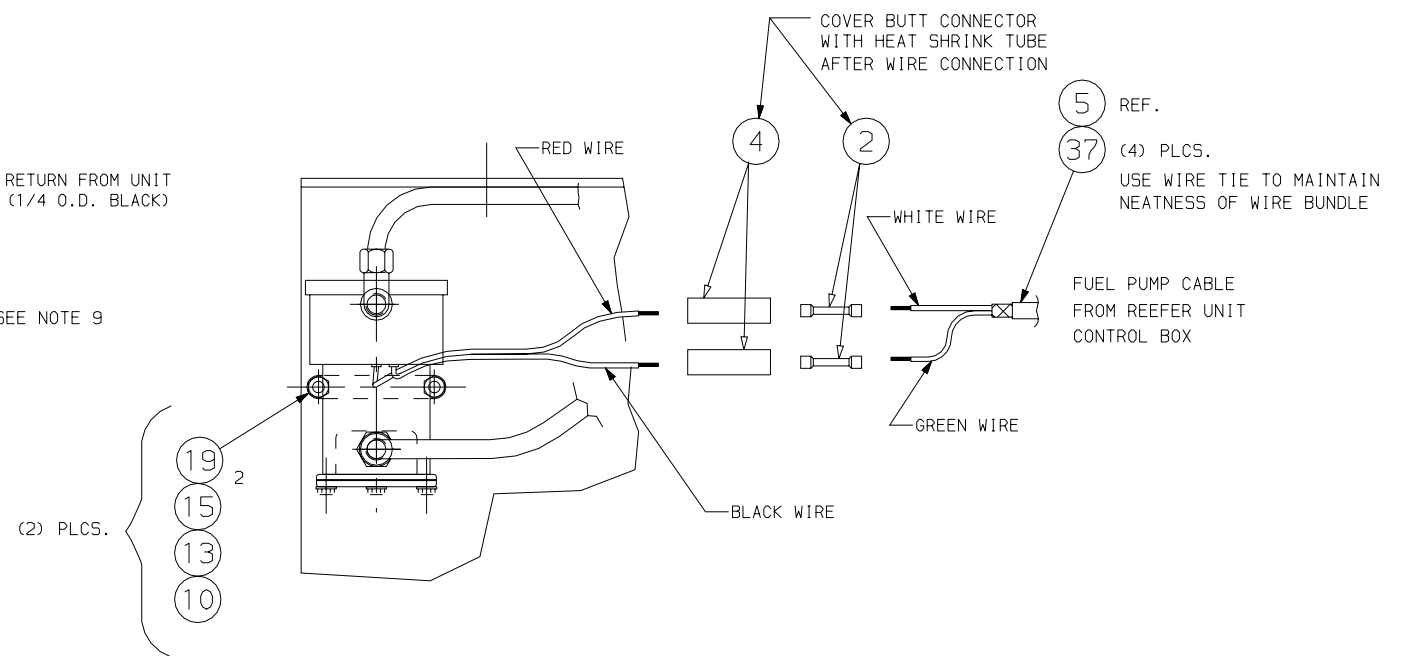
DRAWING NO.  
98-02236  
SHT. 2 OF 5

REV  
D

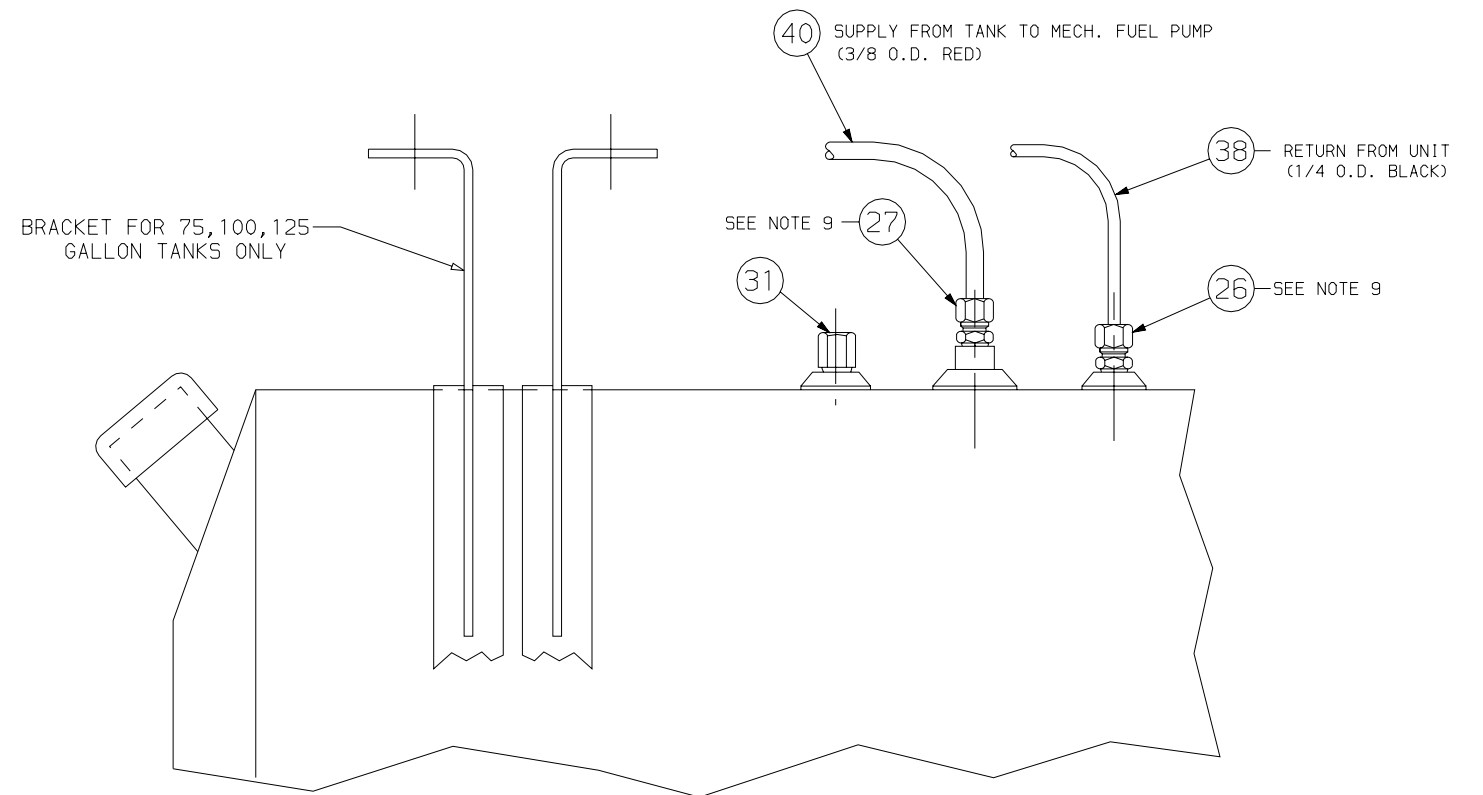


VIEW A - A (SHT 2)

FOR KITS WITH ELECTRIC FUEL PUMP



ELECTRIC FUEL PUMP CABLE CONNECTIONS  
AT REEFER UNIT CONTROL BOX



VIEW A - A (SHT 2)

FOR KITS WITHOUT ELECTRIC FUEL PUMP

A	ADDED "SEE NOTE 9" TO ITEM 26 PER IPCA7272006-66.								GMC	05/19/97								
-	INITIAL RELEASE PER PCA7230406								BJM	11/03/93	SUPERSEDES	NEW	TITLE	INSTALLATION INSTRUCTIONS, SPECIAL FUEL TANKS 30, 50, 75, 100 & 120 GALLON			DRAWING NO. 98-02236	REV A
SYM	REVISION RECORD	ENGRG.	DATE	APPLICATION ENGRG.	DATE	DRAWN BY	DATE										SHT. 3 OF 5	

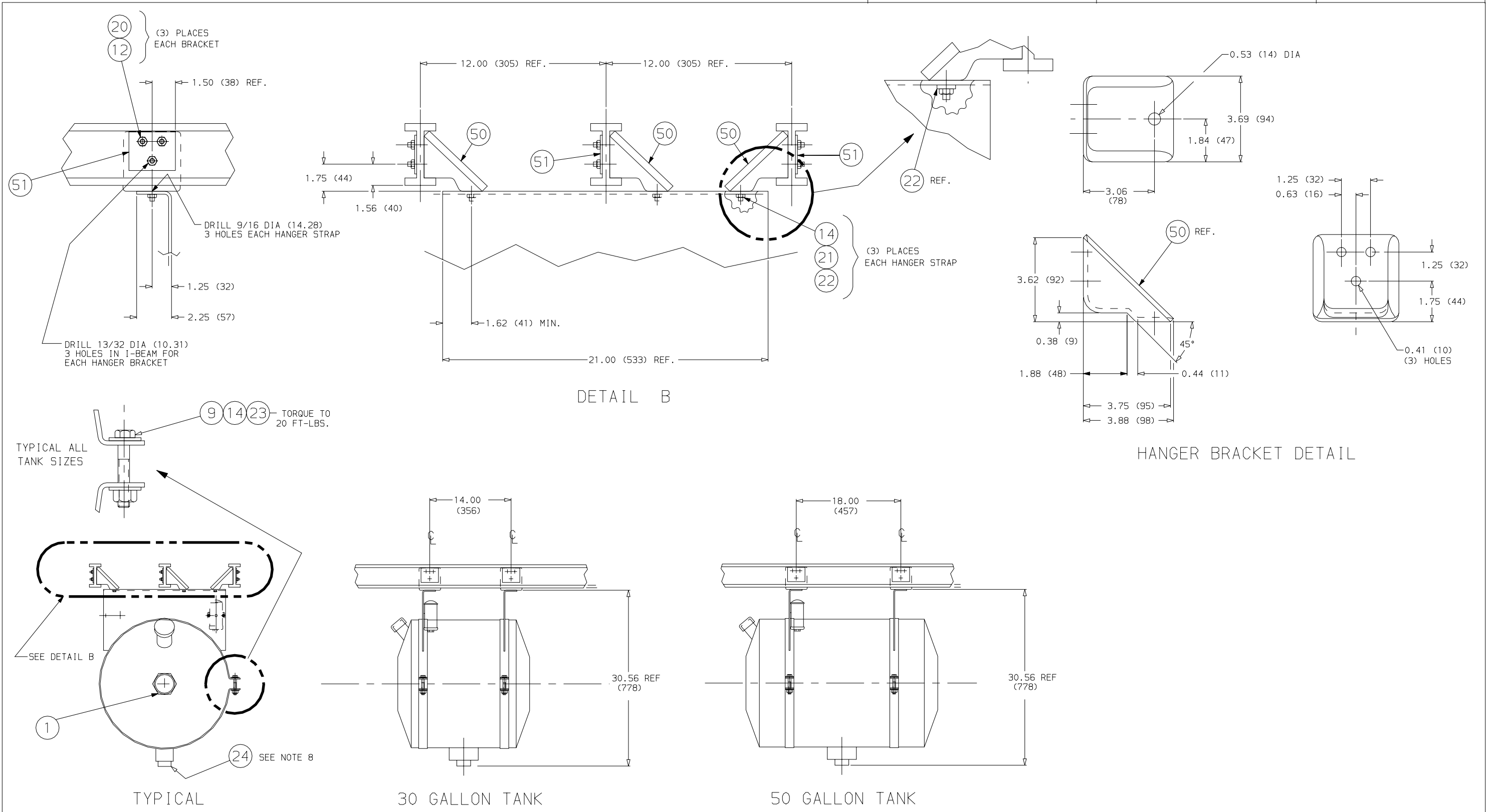


UNITED  
TECHNOLOGIES  
CARRIER  
TRANSCOLD

Carrier Transicold Division  
Carrier Corporation  
P.O. Box 4805  
Syracuse, New York 13221

THIS DOCUMENT IS THE PROPERTY OF CARRIER CORPORATION  
AND IS DELIVERED UPON THE EXPRESS CONDITION THAT THE  
CONTENTS WILL NOT BE DISCLOSED OR USED WITHOUT CARRIER  
CORPORATION'S WRITTEN CONSENT.

SUBMISSION OF THESE DRAWINGS OR DOCUMENTS  
DOES NOT CONSTITUTE PART PERFORMANCE OR  
ACCEPTANCE OF CONTRACT



-	INITIAL RELEASE PER PCA723040G					BJM	11/03/93	SUPERSEDES	NEW	TITLE	INSTALLATION INSTRUCTIONS, SPECIAL FUEL TANKS 30, 50, 75, 100 & 120 GALLON	DRAWING NO. 98-02236	REV
SYM	REVISION RECORD	ENGRG.	DATE	APPLICATION ENGRG.	DATE	DRAWN BY	DATE					SHT. 4 OF 5	

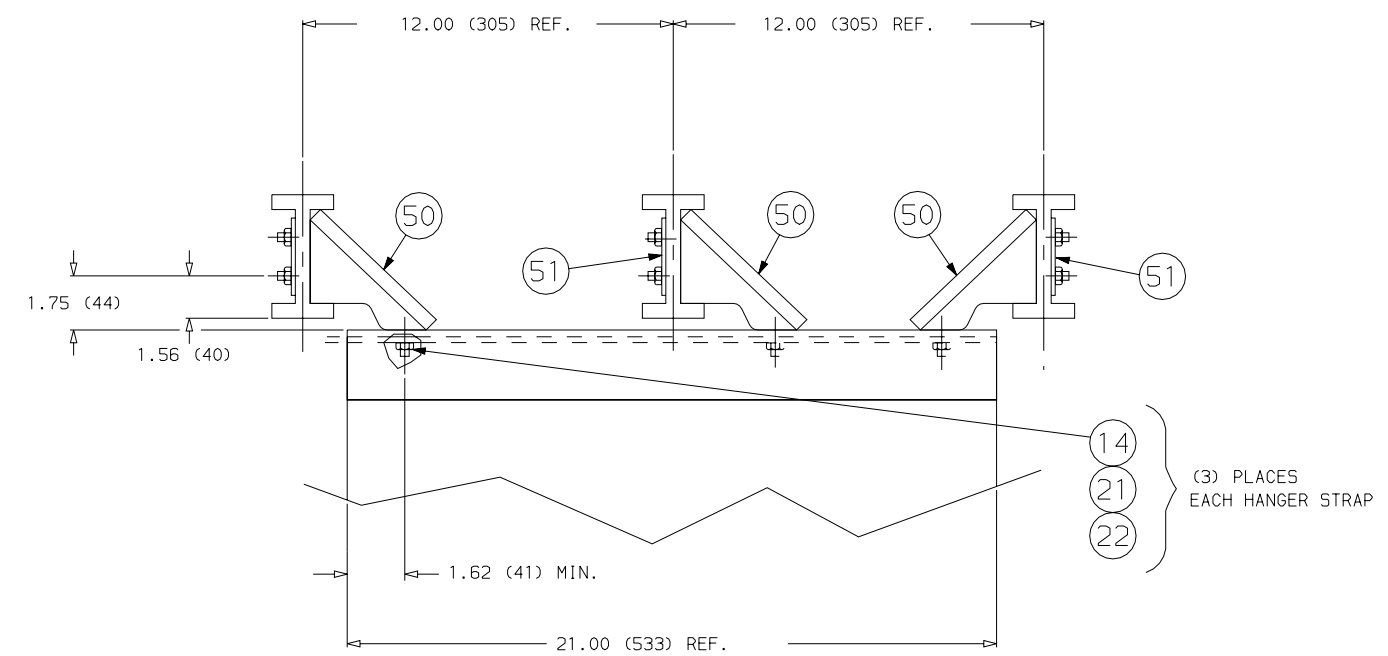
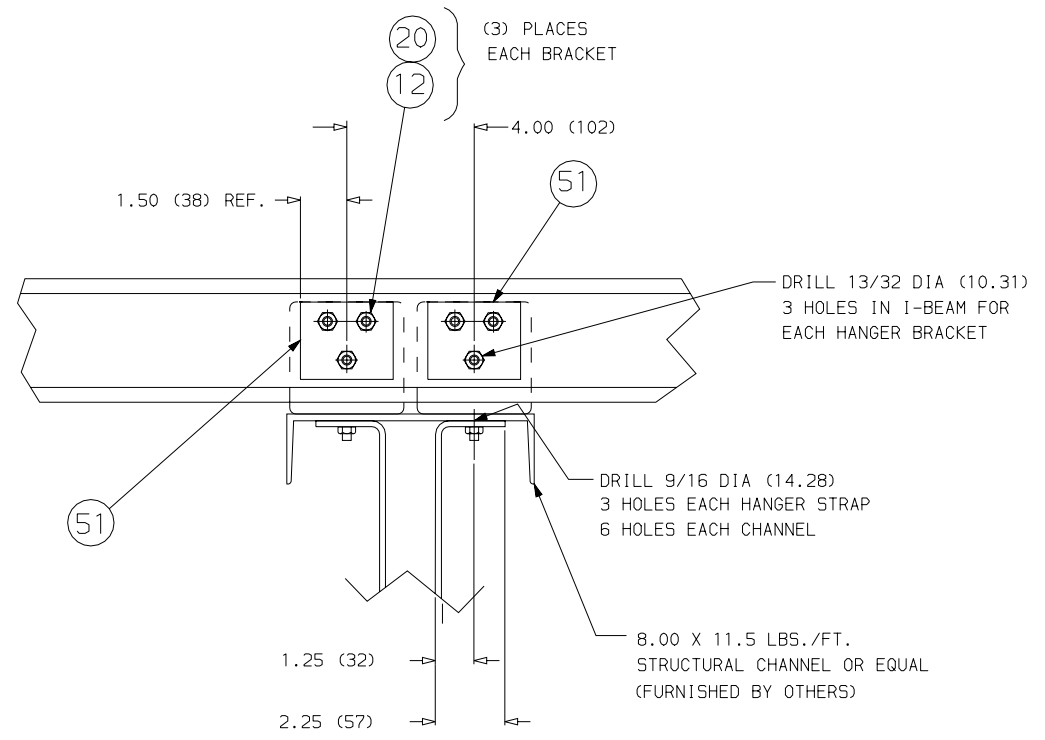


UNITED  
TECHNOLOGIES  
CARRIER  
TRANSCOLD

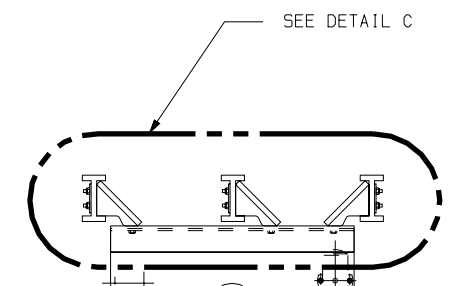
Carrier Transcold Division  
Carrier Corporation  
P.O. Box 4805  
Syracuse, New York 13221

THIS DOCUMENT IS THE PROPERTY OF CARRIER CORPORATION  
AND IS DELIVERED UPON THE EXPRESS CONDITION THAT THE  
CONTENTS WILL NOT BE DISCLOSED OR USED WITHOUT CARRIER  
CORPORATION'S WRITTEN CONSENT.

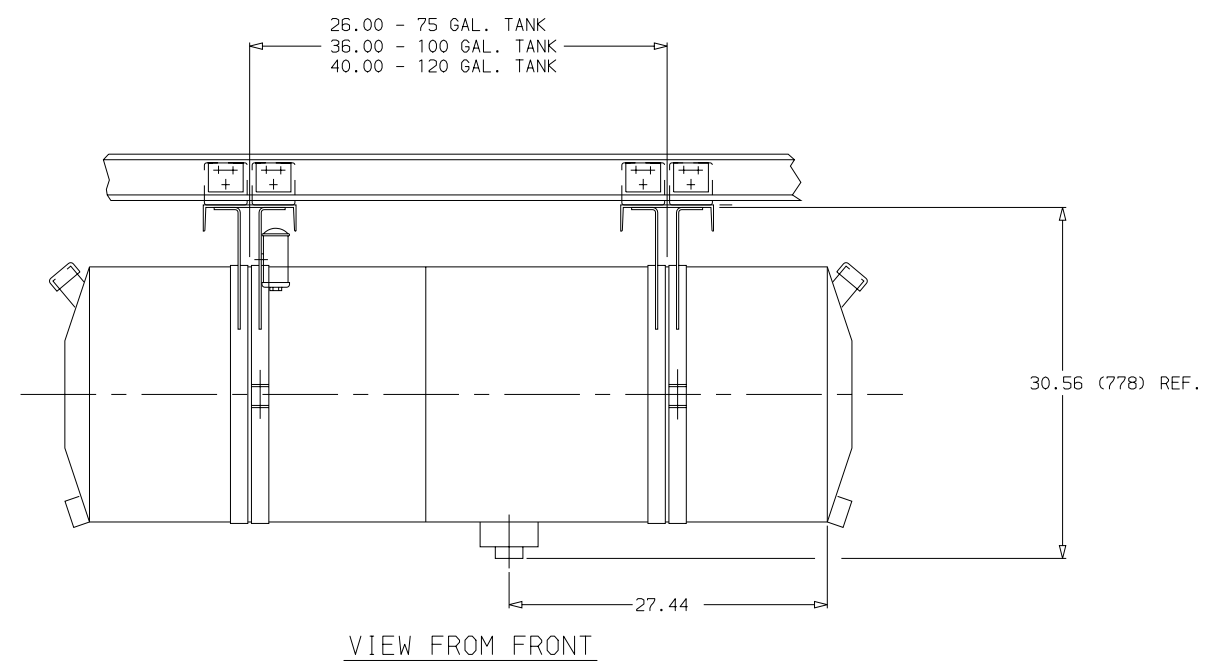
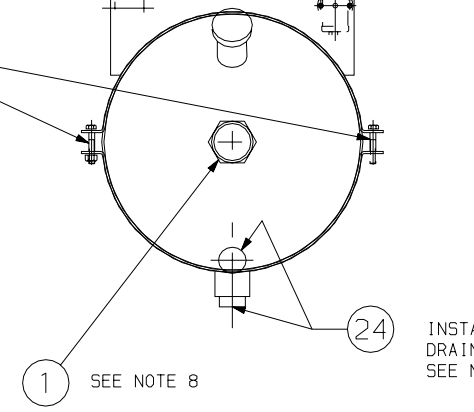
SUBMISSION OF THESE DRAWINGS OR DOCUMENTS  
DOES NOT CONSTITUTE PART PERFORMANCE OR  
ACCEPTANCE OF CONTRACT



DETAIL C



TORQUE TO 20 FT-LBS.



75, 100 & 120 GALLON TANKS, SINGLE & DOUBLE FILL

03 NOV 1993 14:06:40 etc212

SYM	INITIAL RELEASE PER PCA7230406	ENGRG.	DATE	APPLICATION ENGRG.	DATE	DRAWN BY	DATE	SUPERSEDES	NEW	TITLE	INSTALLATION INSTRUCTIONS, SPECIAL FUEL TANKS 30, 50, 75, 100 & 120 GALLON	DRAWING NO.	REV
	REVISION RECORD											98-02236	—

SHT. 5 OF 5