



UNITED
TECHNOLOGIES
CARRIER
TRANSCOLD

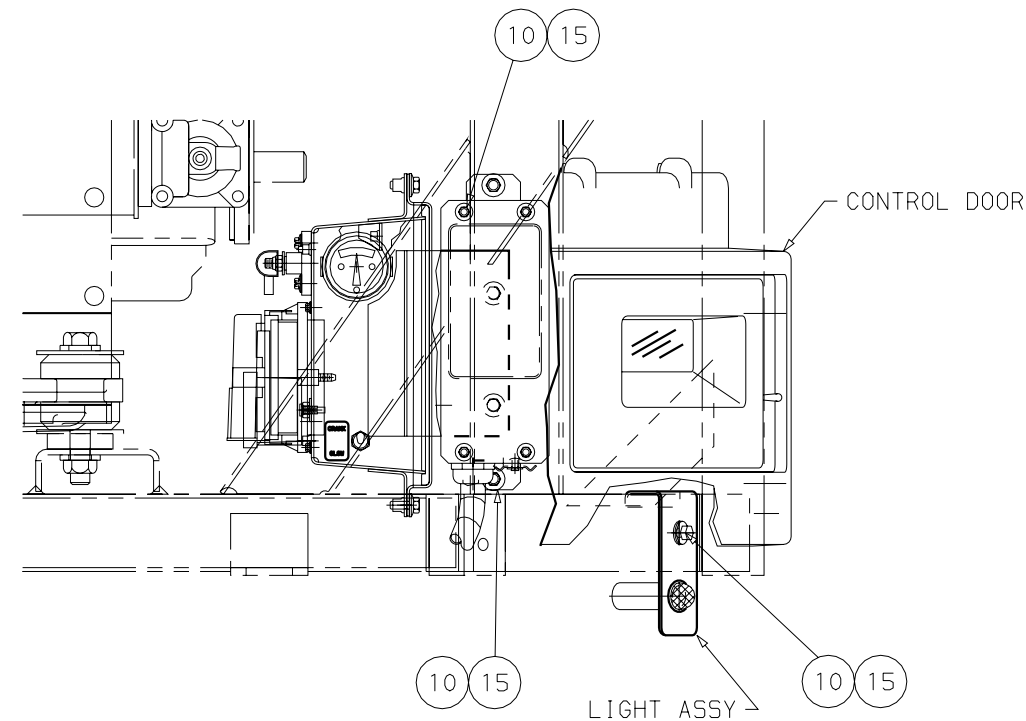
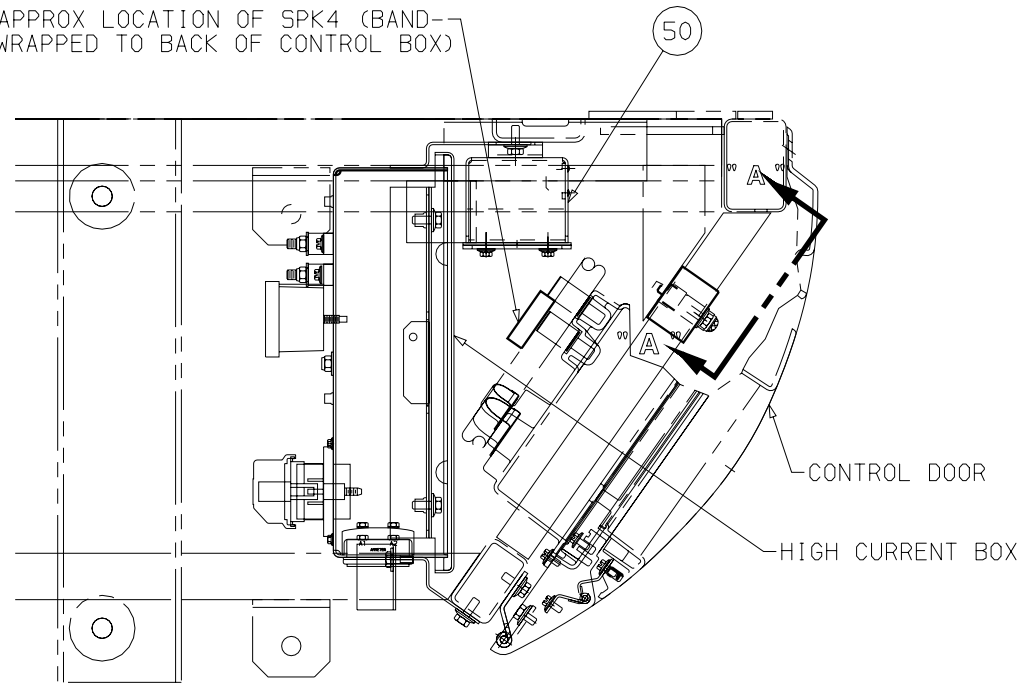
Carrier Transicold Division
Carrier Corporation
P.O. Box 4805
Syracuse, New York 13221

THIS DOCUMENT IS THE PROPERTY OF CARRIER CORPORATION
AND IS DELIVERED UPON THE EXPRESS CONDITION THAT THE
CONTENTS WILL NOT BE DISCLOSED OR USED WITHOUT CARRIER
CORPORATION'S WRITTEN CONSENT.

SUBMISSION OF THESE DRAWINGS OR DOCUMENTS
DOES NOT CONSTITUTE PART PERFORMANCE OR
ACCEPTANCE OF CONTRACT

	PART NO.	MODEL DESCRIPTION
VOID	98-03182-01	LOW FUEL SHUTDOWN
VOID	98-03182-02	LOW FUEL/DOOR SWITCH
VOID	98-03182-03	DOOR SWITCH
VOID	98-03182-04	LOW FUEL (ETO)
VOID	98-03182-05	LOW FUEL/DOOR SWITCH (ETO)

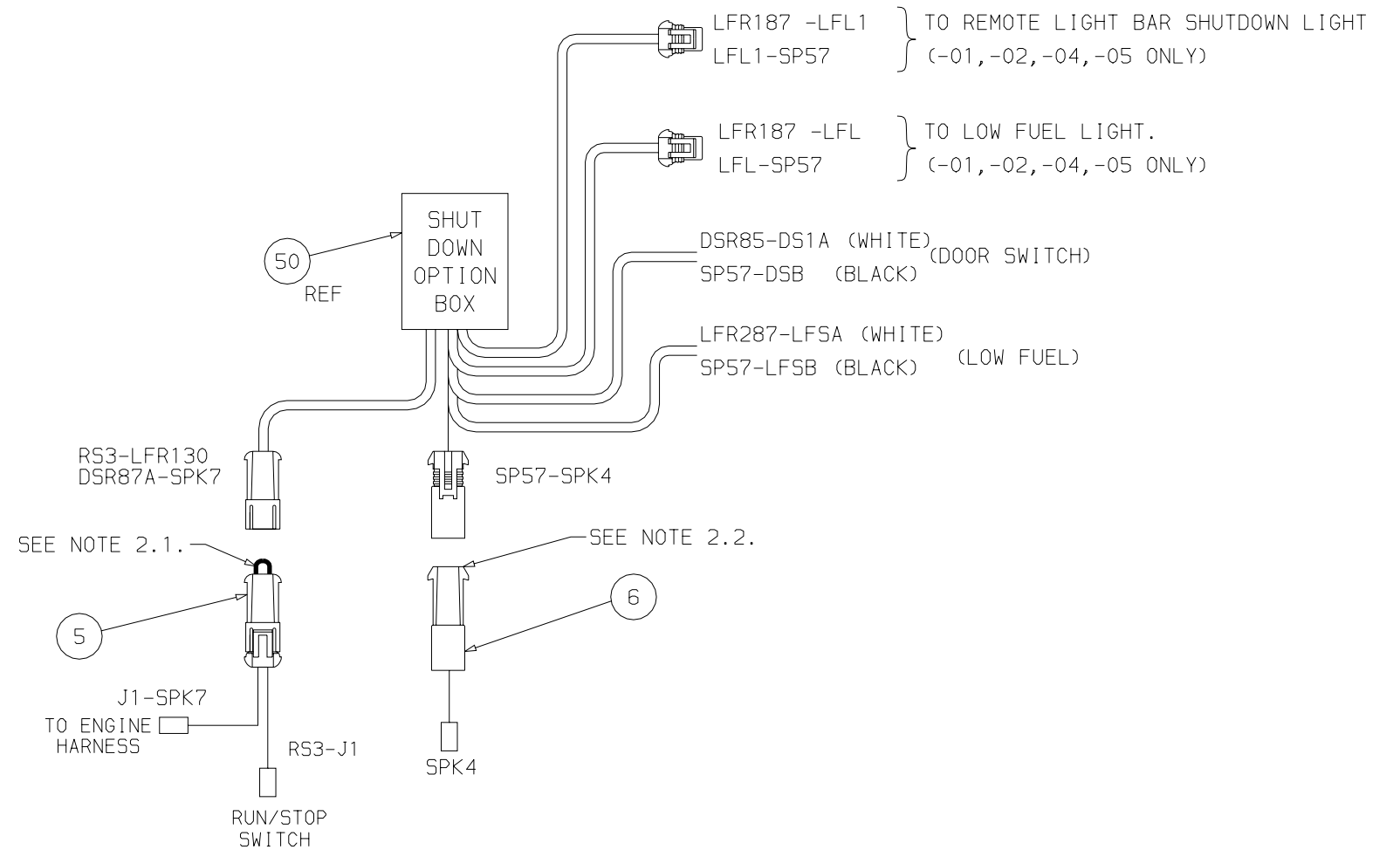
APPROX LOCATION OF SPK4 (BAND-
WRAPPED TO BACK OF CONTROL BOX)



FRONT VIEW - LOWER RIGHT

INSTALLATION INSTRUCTIONS

- 1.0 INSTALL 3 RIVNUTS (ITEM 15) INTO FRAME. MOUNT RELAY BOX (ITEM 50) WITH 2 SCREWS (ITEM 10) AND LIGHT ASSY (FROM 76-00520 KIT) WITH 1 SCREW.
- 2.0 REFER TO WIRING DIAGRAM AND WIRE BOX BY FOLLOWING INSTRUCTIONS:
 - 2.1 REMOVE AND DISCARD JUMPER (J1-J1) FROM ENGINE HARNESS. PLUG IN CONNECTOR FROM SHUTDOWN OPTION BOX.
 - 2.2 PLUG IN JUNPER HARNESS (ITEM 6) TO CONNECTOR FROM SHUTDOWN BOX TO MATING CONNECTOR FROM ENGINE HARNESS.
 - 2.3 OPEN DOOR TO WIDEST POSITION AND BAND WRAP SHUTDOWN HARNESS SO IT WILL ALLOW THE MICRO TO OPEN WITHOUT DAMAGING COMPONENTS.



C	VOIDED PER PCA72N223GP05				ZMG	24AUG2005
B	REM'D INSTL KIT BOM; ADDED "SEE SEPARATE PARTS LIST" & PART NO./MODEL DESC. CHART PER PCA729222G.				MGC	7/16/99
SYM	REVISION RECORD	ENGRG.	DATE	APPLICATION ENGRG.	DATE	DRAWN BY DATE

SUPERSEDES	TITLE	DRAWING NO.	REV
-	INSTALLATION INSTRUCTIONS, LOW FUEL SHUTDOWN/DOOR SWITCH RELAY BOX	98-03182	C
		SHT. 1 OF 1	

VOID SEE SEPARATE PARTS LIST