



INSTRUCTIONS

MAGNETIC DOOR SWITCH INSTALLATION INSTRUCTIONS CTD P/N 76-00518-01

Note: For use with Trailer Multi-Temp Remote Evaporators only (NOT for host unit)

Kit contents:

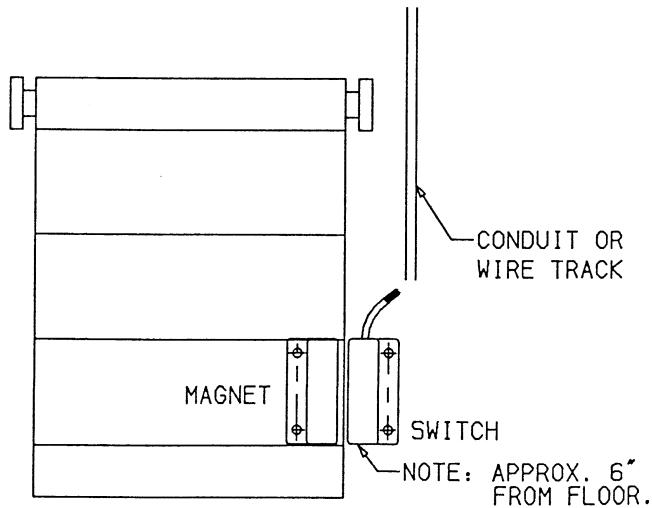
Quantity	Part Number	Part Description
1	10-01176-01	Relay 30 amp
1	12-00419-03	Magnet
1	12-00419-04	Switch, magnetic
6	22-01292-02	Butt splice
6	22-01327-02	Tube, heat shrink
1	22-01443-12	2 conductor wire (75 ft)
1	22-02683-00	Jumper wire #4
1	22-02683-01	Jumper wire #2
1	22-02683-02	Jumper wire #5
1	22-02683-03	Jumper wire #3
1	22-02683-04	Jumper wire #1
1	22-02683-05	Jumper wire #6
2	34-00662-08	Washer, plain
2	34-00667-08	Nut, self-locking
6	34-06109-08	Self-drilling screw
1	62-03966-00A	Label, schematic
1	62-03966-01A	Label, schematic
1	68-07524-00	Plate assembly
1	62-90466-00	Instructions

Additional material needed from shop supplies:

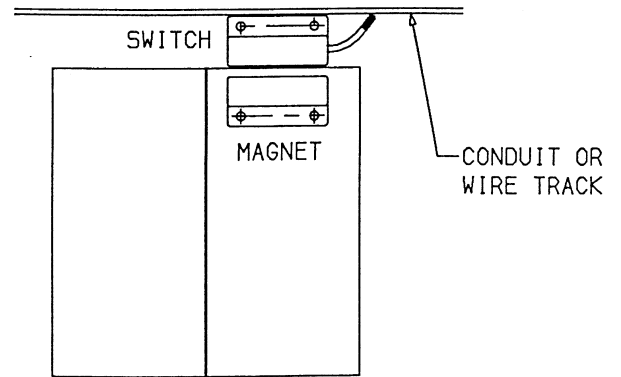
Cable clamps and screws
Silicone caulk
Electrical grade silicone caulk

INSTRUCTIONS

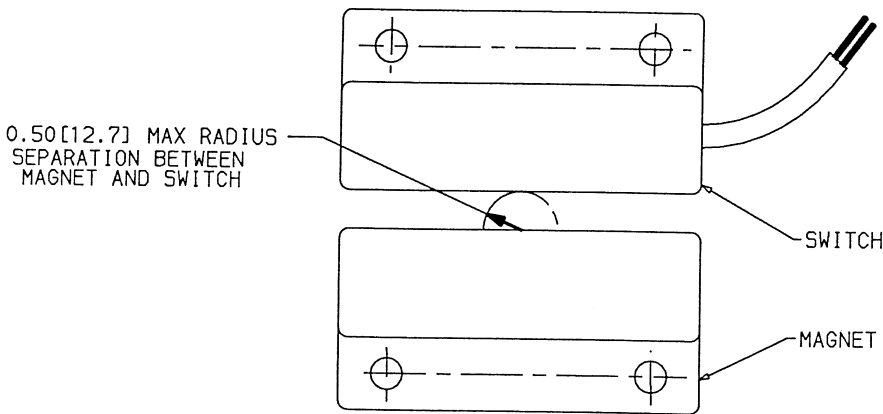
1. Attach door switch and magnet (included in kit) to trailer door and trailer wall with self drilling screws (included), allowing a maximum 0.50" gap between switch and magnet.



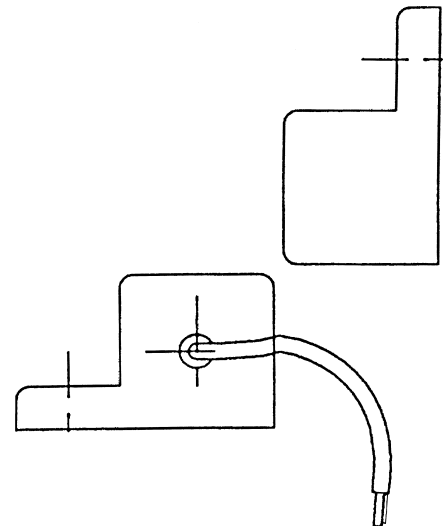
OVERHEAD DOOR APPLICATION



SWINGING DOOR APPLICATION

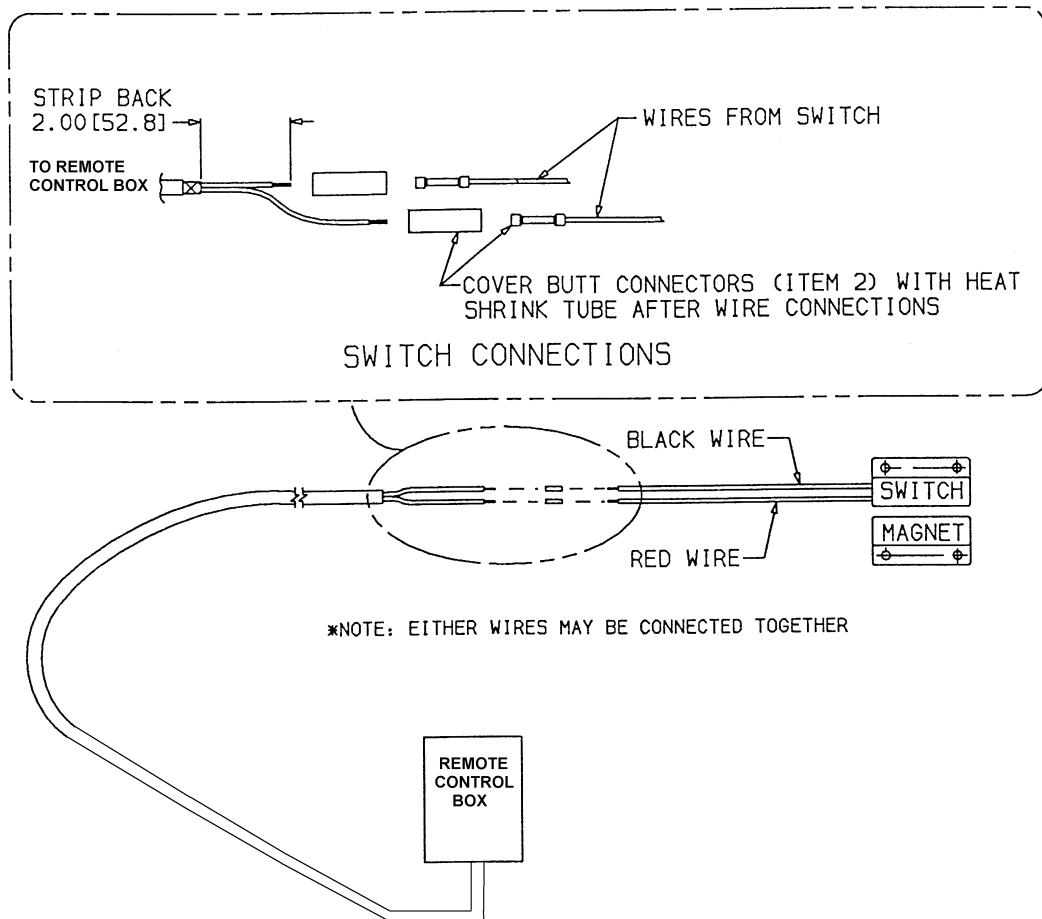


RECOMMENDED MOUNTING POSITIONS



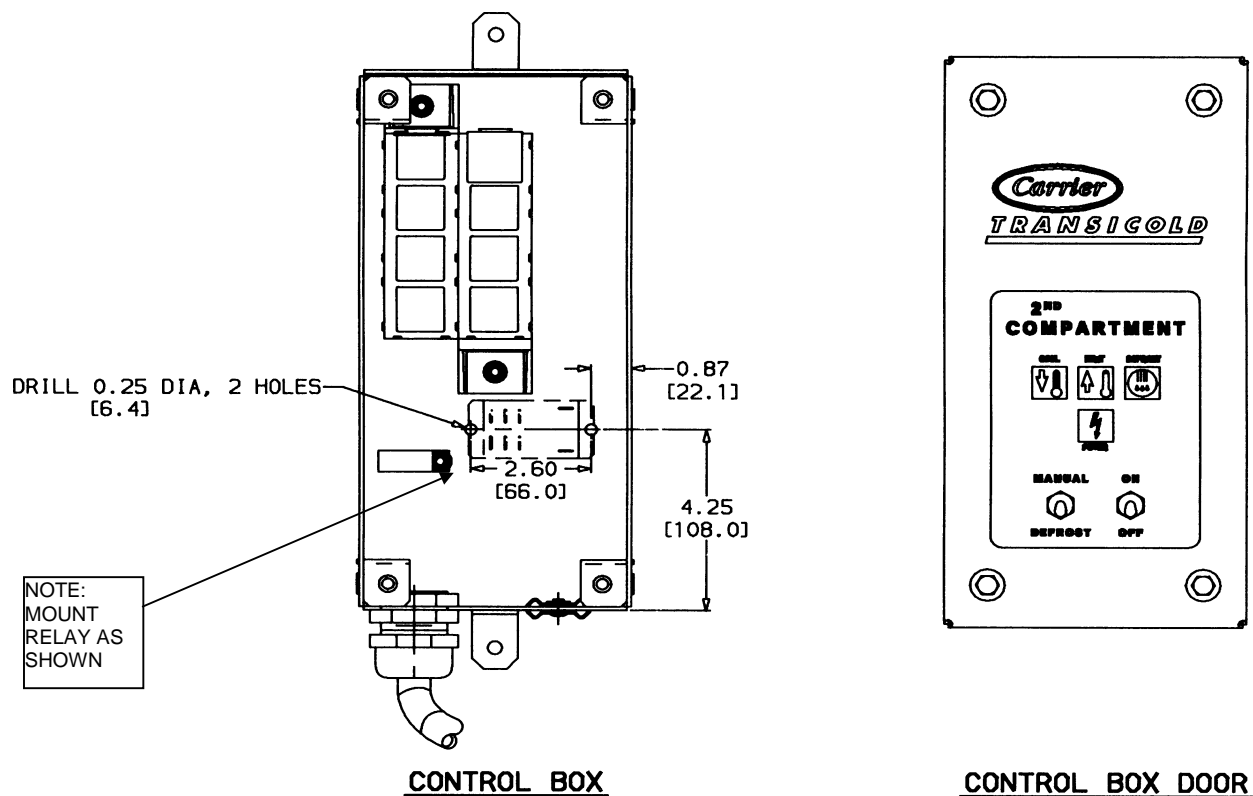
INSTRUCTIONS

- Use the 22-01443-11 wire, included in kit, and run from the switch to the front of the trailer. Using two (2) butt splices, connect the wires as shown below. Use heat shrink to seal the connections. Cut the wires to different lengths so that the splices are not together.



- Using suitable clamps (not included), fasten the wires to the upper corner of the trailer body and route to the front wall. Drill a 1/4" hole through the front wall of the trailer and run the wires through to the remote compartment control box. Use a suitable silicone caulk to seal the hole. Insert the wire through the watertight connector in the bottom of the remote compartment control box.
- Remove the cover to the remote compartment control box. If your unit has two (2) unused mounting studs for the relay, skip this step and discard the stud strip included in the kit. If studs are not present, remove the box from the trailer and drill two (2) 1/4" holes in the box to install the stud strip (see **Figure 4**). Place a small amount of electrical grade silicone caulk (not included in kit) around the base of each stud on the stud plate and push in place from the back side of the box.

Figure 4

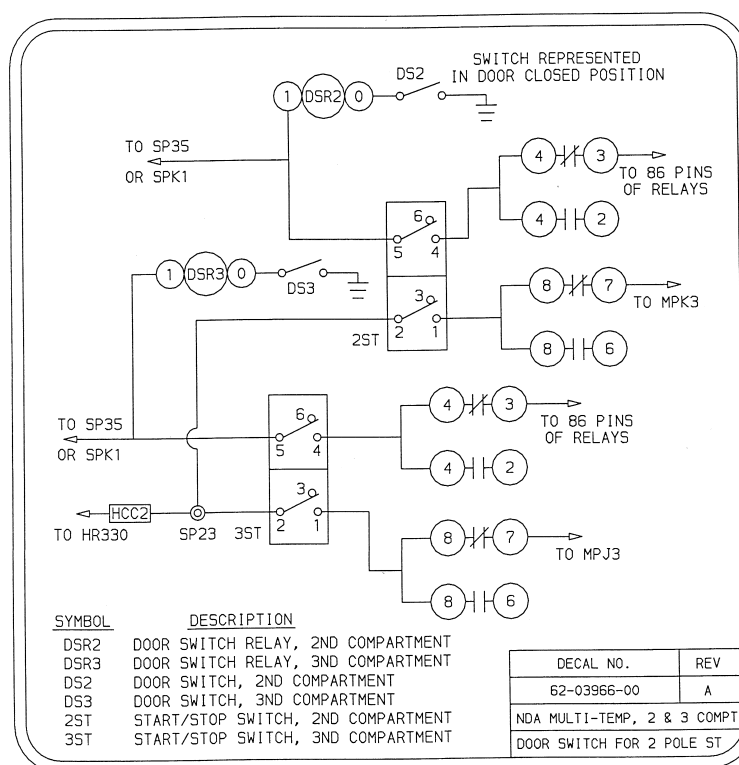


5. Mount the door switch relay inside the box on the studs with the orientation shown above using the hardware supplied with the kit. (TIP: Installation of the hardware will be easiest using a thin wall ¼" drive socket.)
6. Follow the wiring diagram in **Figure 5** to install door switches for remote evaporators on multitemp units with serial numbers **prior to FAC90391017**. (Skip to step 7 if your unit serial number is FAC90391017 or higher.) In general, the wiring instructions are as follows:
 - a) Remove wire from terminal 1 of on/off switch and place on terminal 7 of door switch relay.
 - b) Remove wire from terminal 4 of on/off switch and place on terminal 3 of door switch relay.
 - c) Remove wire from terminal 5 of on/off switch.
 - d) Place piggy back terminal of jumper wire #1 onto terminal 5 of on/off switch. Plug the wire removed from terminal 5 of the switch in step 6c onto the open terminal on the piggy back terminal.
 - e) Plug the single lead end of jumper wire #1 into terminal 1 of door switch relay.
 - f) Plug jumper wire #2 into terminal 4 of on/off switch and terminal 4 of door switch relay.
 - g) Plug jumper wire #5 into terminal 1 of on/off switch and terminal 8 of door switch relay.

INSTRUCTIONS

- h) Plug jumper wire #3 into terminal 0 of door switch relay. Butt splice stripped end of jumper wire #3 into either wire from the door switch and seal with heat shrink.
- i) Remove the blue secondary lock from splice pack 11. Insert the terminal end of jumper wire #4 into cavity G of the splice pack and replace the secondary lock.
- j) Butt splice stripped end of jumper wire #4 to the remaining wire from the door switch and seal with heat shrink.
- k) Place heat shrink on terminals 2 and 6 of the door switch relay to prevent accidental contact (they will have +12V power when the unit is on and the door is open).
- l) Proceed to Step 8.

Figure 5

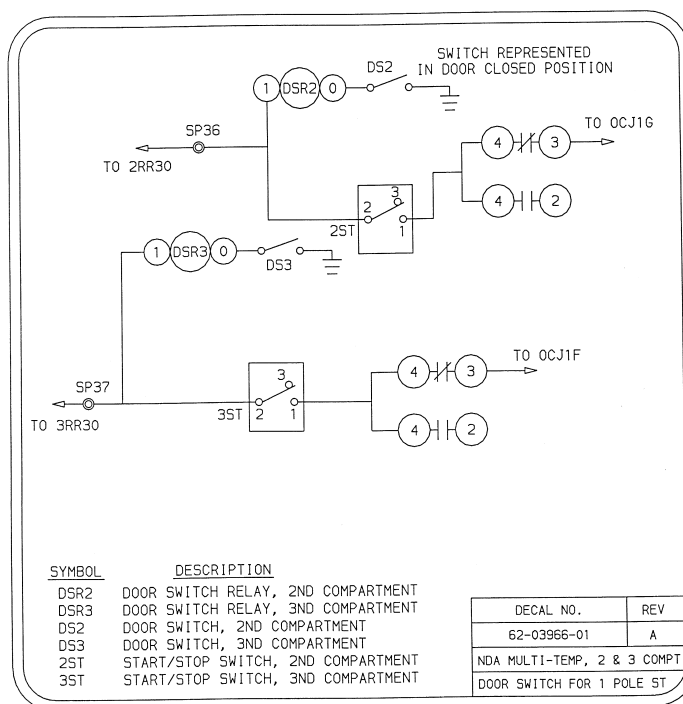


7. Follow the wiring diagram in **Figure 6** to install door switches for remote evaporators on multitemp units with serial numbers **FAC90391017 and higher**. In general, the wiring instructions are as follows:
 - a) Remove wire from terminal 1 of on/off switch and place on terminal 3 of door switch relay.
 - b) Remove wire from terminal 2 of on/off switch.
 - c) Place piggy back terminal of jumper wire #1 onto terminal 2 of on/off switch. Plug the wire removed from terminal 2 of the switch in step 7b onto the open terminal on the piggy back terminal.
 - d) Plug single lead end of jumper wire #1 into terminal 1 of door switch relay.
 - e) Plug jumper wire #5 into terminal 1 of on/off switch and terminal 4 of door switch relay.

INSTRUCTIONS

- f) Plug jumper wire #3 into terminal 0 of door switch relay. Butt splice stripped end of jumper wire #3 into either wire from the door switch and seal with heat shrink.
- g) Remove the blue secondary lock from splice pack 11. Insert the terminal end jumper wire #4 into cavity G of the splice pack and replace the secondary lock.
- h) Butt splice stripped end of jumper wire #4 to the remaining wire from the door switch and seal with heat shrink.
- i) Place heat shrink on terminals 2 and 6 of the door switch relay to prevent accidental contact (they will have +12V power when the unit is on and the door is open).

Figure 6



8. Perform the following wiring changes on Genesis TM model multitemp units equipped with MMD or MMS evaporators to keep the defrost timer running even if the door switch shuts off the compartment:
 - a) Remove the wire from terminal + of the defrost timer (2DFT) and cap off with electrical tape or heat shrink.
 - b) Remove the wire from terminal 1 of the on/off switch (2ST).
 - c) Connect the piggy back terminal of jumper wire #6 onto terminal 1 of the on/off switch (2ST). Plug the wire removed from terminal 1 of the switch in step 8b onto the open terminal of the piggy back terminal.
 - d) Connect the other end of jumper wire #6 to terminal + of the defrost timer (2DFT).
9. Tywrap loose wires. Install appropriate schematic decal on inside face of remote compartment control box door.
10. Check door switch circuit for proper operation.